

YASKAWA

MOTOMAN GP88

Handling & General Applications
with the GP-series

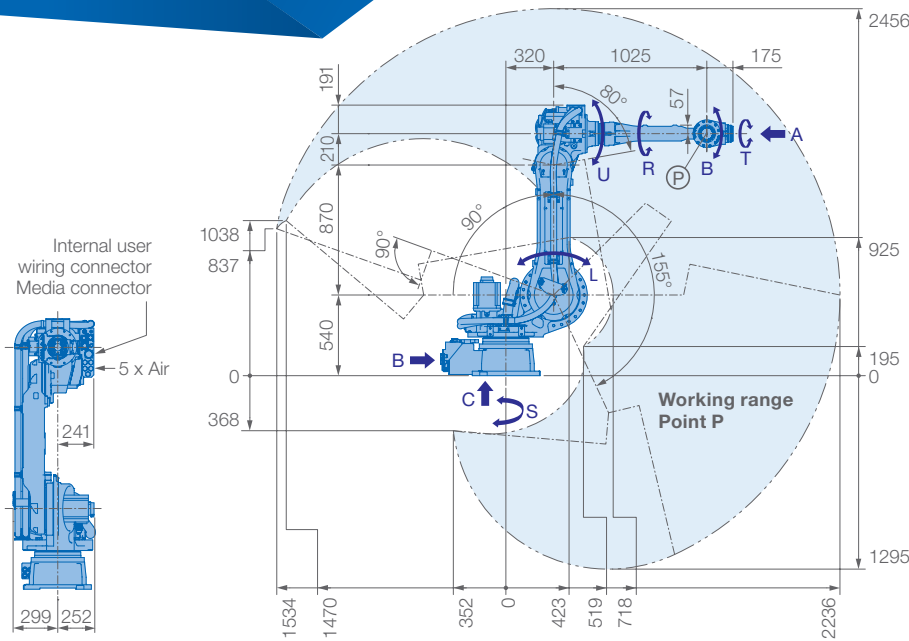


The MOTOMAN GP88 is a versatile high speed 6-axis robot, providing a high payload of up to 88 kg. It offers superior performance in material handling, machine tending, processing and dispensing applications.

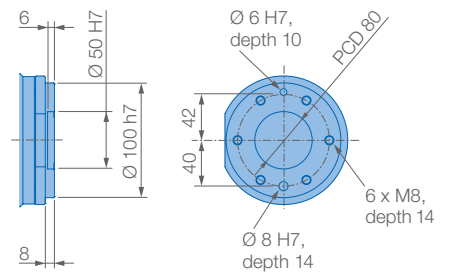
Despite its slim body, the MOTOMAN GP88 features a wide work envelope with a small interference radius. Thereby it can be placed close to machines for loading and unloading of parts, which reduces the required floor space to a minimum.

KEY BENEFITS

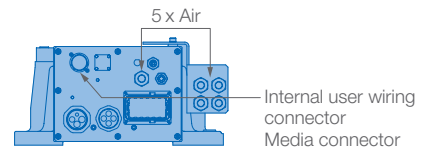
- Flexible and powerful (payload of 88 kg)
- High axis speeds
- Improved wrist ratings provide higher handling capacity
- Small interference radius reduces floor space requirements



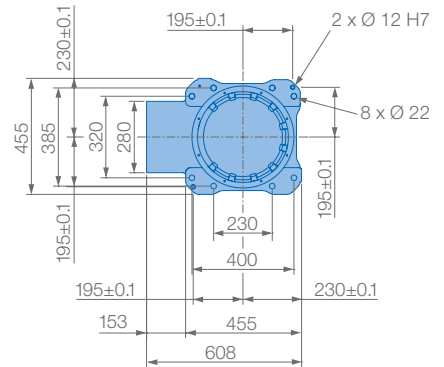
View A



View B

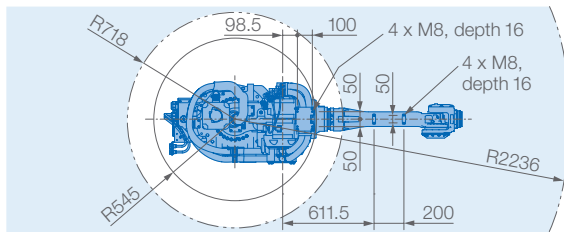


View C

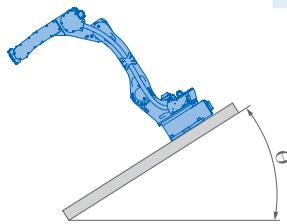
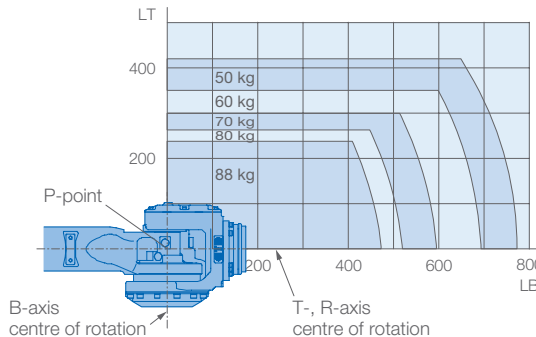


Mounting options: Floor, ceiling, wall, tilt*
 Protection class version YR-1-06VX88-A00
 Standard: Main axes (S, L, U) IP54, wrist IP67
 Protection class version YR-1-06VX88-C00:
 Main axes (S, L, U) IP65, wrist IP67

Please notice: Just valid for body/wrist, connector base not protected
 * tilt with condition of angle – see table left side



Allowable wrist load



| Robot installation angle θ [deg.] | S-axis operating range [deg.] |
|------------------------------------------|-------------------------------|
| $0 \leq \theta \leq 30$ | ± 180 (Standard) |
| $30 < \theta \leq 35$ | ± 60 |
| $35 < \theta \leq 45$ | ± 45 |
| $45 < \theta$ | ± 30 |

| Specifications GP88 | | | | | |
|---------------------|--------------------------|------------------------|-----------------------|----------------------------------------------------|-----------------------------|
| Axes | Maximum motion range [°] | Maximum speed [°/sec.] | Allowable moment [Nm] | Allowable moment of inertia [kg · m ²] | Controlled axes |
| S | ± 180 | 170 | – | – | 6 |
| L | +155/–90 | 140 | – | – | Max. payload [kg] |
| U | +90/–80 | 160 | – | – | 88 |
| R | ± 360 | 230 | 408 | 30 | Repeatability [mm] |
| B | ± 125 | 230 | 408 | 30 | ± 0.03 |
| T | ± 360 | 350 | 206 | 11 | Max. working range R [mm] |
| | | | | | 2236 |
| | | | | | Temperature [°C] |
| | | | | | 0 to +45 |
| | | | | | Humidity [%] |
| | | | | | 20 – 80 |
| | | | | | Weight [kg] |
| | | | | | 630 |
| | | | | | Power supply, average [KVA] |
| | | | | | 4.0 |

Yaskawa Europe GmbH

Robotics Division
 Yaskawastraße 1
 85391 Allershausen
 Germany

Tel. +49 (0) 8166 90-0
 robotics@yaskawa.eu.com
 www.yaskawa.eu.com

YR-1-06VX88-A00, YR-1-06VX88-C00
 C-10-2020, A-No. 195936