

VIPA System 200V

CPU | Manual

HB97E_CPU | RE_21x-1Bx06 | Rev. 13/20

May 2013

Copyright © VIPA GmbH. All Rights Reserved.

This document contains proprietary information of VIPA and is not to be disclosed or used except in accordance with applicable agreements.

This material is protected by the copyright laws. It may not be reproduced, distributed, or altered in any fashion by any entity (either internal or external to VIPA), except in accordance with applicable agreements, contracts or licensing, without the express written consent of VIPA and the business management owner of the material.

For permission to reproduce or distribute, please contact:
VIPA, Gesellschaft für Visualisierung und Prozessautomatisierung mbH
Ohmstraße 4, D-91074 Herzogenaurach, Germany
Tel.: +49 (91 32) 744 -0
Fax.: +49 9132 744 1864
EMail: info@vipa.de
<http://www.vipa.com>

Note

Every effort has been made to ensure that the information contained in this document was complete and accurate at the time of publishing. Nevertheless, the authors retain the right to modify the information. This customer document describes all the hardware units and functions known at the present time. Descriptions may be included for units which are not present at the customer site. The exact scope of delivery is described in the respective purchase contract.

CE Conformity Declaration

Hereby, VIPA GmbH declares that the products and systems are in compliance with the essential requirements and other relevant provisions.

Conformity is indicated by the CE marking affixed to the product.

Conformity Information

For more information regarding CE marking and Declaration of Conformity (DoC), please contact your local VIPA customer service organization.

Trademarks

VIPA, SLIO, System 100V, System 200V, System 300V, System 300S, System 400V, System 500S and Commander Compact are registered trademarks of VIPA Gesellschaft für Visualisierung und Prozessautomatisierung mbH.

SPEED7 is a registered trademark of profichip GmbH.

SIMATIC, STEP, SINEC, TIA Portal, S7-300 and S7-400 are registered trademarks of Siemens AG.

Microsoft und Windows are registered trademarks of Microsoft Inc., USA.

Portable Document Format (PDF) and Postscript are registered trademarks of Adobe Systems, Inc.

All other trademarks, logos and service or product marks specified herein are owned by their respective companies.

Information product support

Contact your local VIPA Customer Service Organization representative if you wish to report errors or questions regarding the contents of this document. If you are unable to locate a customer service center, contact VIPA as follows:

VIPA GmbH, Ohmstraße 4, 91074 Herzogenaurach, Germany

Telefax: +49 9132 744 1204
EMail: documentation@vipa.de

Technical support

Contact your local VIPA Customer Service Organization representative if you encounter problems with the product or have questions regarding the product. If you are unable to locate a customer service center, contact VIPA as follows:

VIPA GmbH, Ohmstraße 4, 91074 Herzogenaurach, Germany

Telephone: +49 9132 744 1150 (Hotline)
EMail: support@vipa.de

Contents

About this manual	1
Safety information	2
Chapter 1 Basics and Assembly	1-1
Safety Information for Users.....	1-2
System conception	1-3
Dimensions	1-5
Installation	1-7
Demounting and module exchange	1-11
Wiring.....	1-12
Installation guidelines	1-14
General data	1-17
Chapter 2 Hardware description	2-1
Properties.....	2-2
Structure	2-3
Technical Data	2-6
Chapter 3 Deployment CPU 21x-1Bx06.....	3-1
Assembly.....	3-2
Start-up behavior.....	3-2
Addressing	3-3
Hints for the deployment of the MPI interface.....	3-5
SIMATIC Manager - Limitations	3-6
Hardware configuration - CPU.....	3-7
Hardware configuration - I/O modules	3-9
Setting CPU parameters	3-10
Project transfer.....	3-14
Operating modes.....	3-18
Overall reset.....	3-20
Firmware update	3-22
Factory reset	3-24
VIPA specific diagnostic entries	3-25
Using test functions for control and monitoring of variables.....	3-27
Chapter 4 Configuration with Siemens TIA Portal	4-1
TIA Portal - Limitations	4-2
TIA Portal - Work environment.....	4-3
TIA Portal - Hardware Configuration - CPU.....	4-5
TIA Portal - Hardware configuration - I/O modules	4-8
TIA Portal - Project transfer.....	4-9

About this manual

This manual describes the System 200V CPU 214-1BC06 and CPU 21x-1BA06 from VIPA. Here you may find every information for commissioning and operation.

Overview

Chapter 1: Basics and Assembly

The focus of this chapter is on the introduction of the VIPA System 200V. Here you will find the information required to assemble and wire a controller system consisting of System 200V components. Besides the dimensions the general technical data of System 200V will be found.

Chapter 2: Hardware description

Here the hardware components of the CPU are described. The technical data are at the end of the chapter.

Chapter 3: Deployment CPU 21x-1Bx06

This chapter describes the deployment of the CPU in the System 200V. The description refers directly to the CPU and to the deployment in connection with peripheral modules, mounted on a profile rail together with the CPU at the backplane bus.

Chapter 4: Configuration with TIA Portal

In this chapter the project engineering of the VIPA CPU in the Siemens TIA Portal is shown. The chapter only describes the basic usage of the Siemens TIA Portal together with a VIPA CPU .

More detailed information about the Siemens TIA Portal is to be found in the according online manual respectively documentation.

Objective and contents

This manual describes the System 200V CPU 214-1BC06 and CPU 21x-1BA06 from VIPA. It contains a description of the construction, project implementation and usage.

This manual is part of the documentation package with order number HB97E_CPU and relevant for:

Product	Order number	as of state:	
		CPU-HW	CPU-FW
CPU 21x	VIPA CPU 21x-1Bx06	01	V 419

Target audience

The manual is targeted at users who have a background in automation technology.

Structure of the manual

The manual consists of chapters. Every chapter provides a self-contained description of a specific topic.

Guide to the document

The following guides are available in the manual:

- an overall table of contents at the beginning of the manual
- an overview of the topics for every chapter

Availability

The manual is available in:

- printed form, on paper
- in electronic form as PDF-file (Adobe Acrobat Reader)

Icons Headings

Important passages in the text are highlighted by following icons and headings:



Danger!

Immediate or likely danger.
Personal injury is possible.



Attention!

Damages to property is likely if these warnings are not heeded.



Note!

Supplementary information and useful tips.

Safety information

Applications conforming with specifications

The CPU 21x is constructed and produced for:

- all VIPA System 200V components
- communication and process control
- general control and automation applications
- industrial applications
- operation within the environmental conditions specified in the technical data
- installation into a cubicle



Danger!

This device is not certified for applications in

- in explosive environments (EX-zone)

Documentation

The manual must be available to all personnel in the

- project design department
- installation department
- commissioning
- operation



The following conditions must be met before using or commissioning the components described in this manual:

- Hardware modifications to the process control system should only be carried out when the system has been disconnected from power!
- Installation and hardware modification only by properly trained personnel.
- The national rules and regulations of the respective country must be satisfied (installation, safety, EMC ...)

Disposal

National rules and regulations apply to the disposal of the unit!

Chapter 1 Basics and Assembly

Overview

The focus of this chapter is on the introduction of the VIPA System 200V. Here you will find the information required to assemble and wire a controller system consisting of System 200V components.

Besides the dimensions the general technical data of System 200V will be found.

Contents

Topic	Page
Chapter 1 Basics and Assembly	1-1
Safety Information for Users	1-2
System conception	1-3
Dimensions	1-5
Installation	1-7
Demounting and module exchange	1-11
Wiring	1-12
Installation guidelines	1-14
General data	1-17

Safety Information for Users

Handling of electrostatic sensitive modules

VIPA modules make use of highly integrated components in MOS-Technology. These components are extremely sensitive to over-voltages that can occur during electrostatic discharges.

The following symbol is attached to modules that can be destroyed by electrostatic discharges.



The Symbol is located on the module, the module rack or on packing material and it indicates the presence of electrostatic sensitive equipment.

It is possible that electrostatic sensitive equipment is destroyed by energies and voltages that are far less than the human threshold of perception. These voltages can occur where persons do not discharge themselves before handling electrostatic sensitive modules and they can damage components thereby, causing the module to become inoperable or unusable.

Modules that have been damaged by electrostatic discharges can fail after a temperature change, mechanical shock or changes in the electrical load.

Only the consequent implementation of protection devices and meticulous attention to the applicable rules and regulations for handling the respective equipment can prevent failures of electrostatic sensitive modules.

Shipping of electrostatic sensitive modules

Modules must be shipped in the original packing material.

Measurements and alterations on electrostatic sensitive modules

When you are conducting measurements on electrostatic sensitive modules you should take the following precautions:

- Floating instruments must be discharged before use.
- Instruments must be grounded.

Modifying electrostatic sensitive modules you should only use soldering irons with grounded tips.



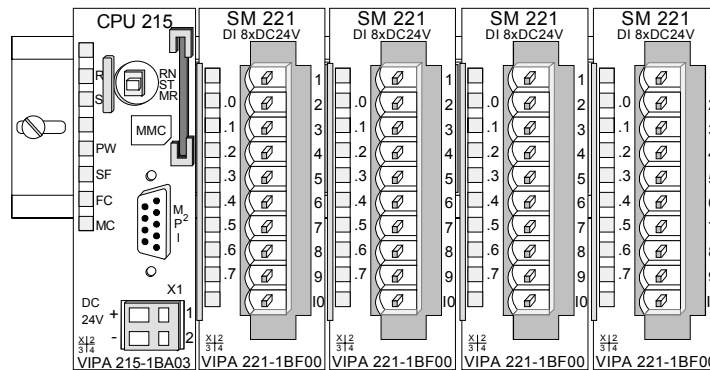
Attention!

Personnel and instruments should be grounded when working on electrostatic sensitive modules.

System conception

Overview

The System 200V is a modular automation system for assembly on a 35mm profile rail. By means of the peripheral modules with 4, 8 and 16 channels this system may properly be adapted matching to your automation tasks.

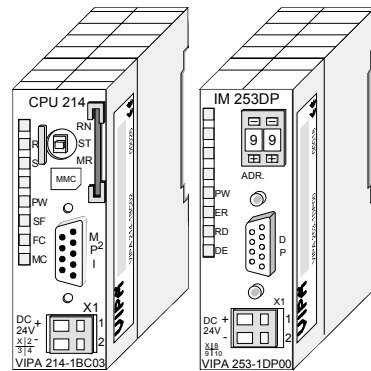


Components

The System 200V consists of the following components:

- *Head modules* like CPU and bus coupler
- *Periphery modules* like I/O, function und communication modules
- *Power supplies*
- *Extension modules*

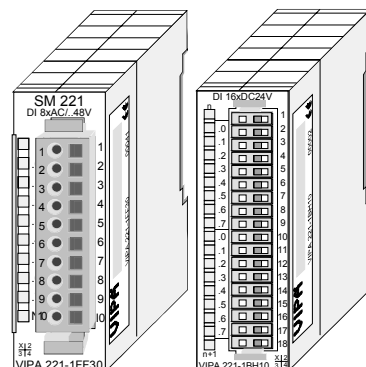
Head modules



With a head module CPU respectively bus interface and DC 24V power supply are integrated to one casing.

Via the integrated power supply the CPU respectively bus interface is power supplied as well as the electronic of the connected periphery modules.

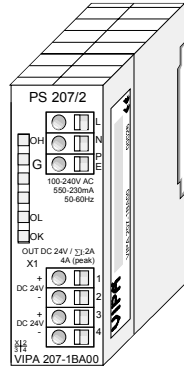
Periphery modules



The modules are direct installed on a 35mm profile rail and connected to the head module by a bus connector, which was mounted on the profile rail before.

Most of the periphery modules are equipped with a 10pin respectively 18pin connector. This connector provides the electrical interface for the signaling and supplies lines of the modules.

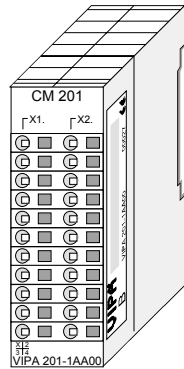
Power supplies



With the System 200V the DC 24V power supply can take place either externally or via a particularly for this developed power supply.

The power supply may be mounted on the profile rail together with the System 200V modules. It has no connector to the backplane bus.

Expansion modules



The expansion modules are complementary modules providing 2- or 3wire connection facilities.

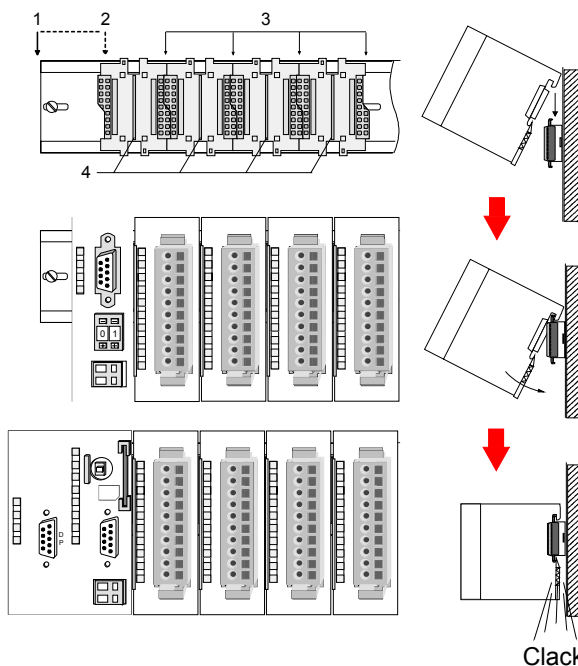
The modules are not connected to the backplane bus.

Structure/ dimensions

- Profile rail 35mm
- Dimensions of the basic enclosure:
 - 1tier width: (HxWxD) in mm: 76x25.4x74 in inches: 3x1x3
 - 2tier width: (HxWxD) in mm: 76x50.8x74 in inches: 3x2x3

Installation

Please note that you can only install header modules, like the CPU, the PC and couplers at slot 1 or 1 and 2 (for double width modules).



[1]	Head module (double width)
[2]	Head module (single width)
[3]	Periphery module
[4]	Guide rails

Note

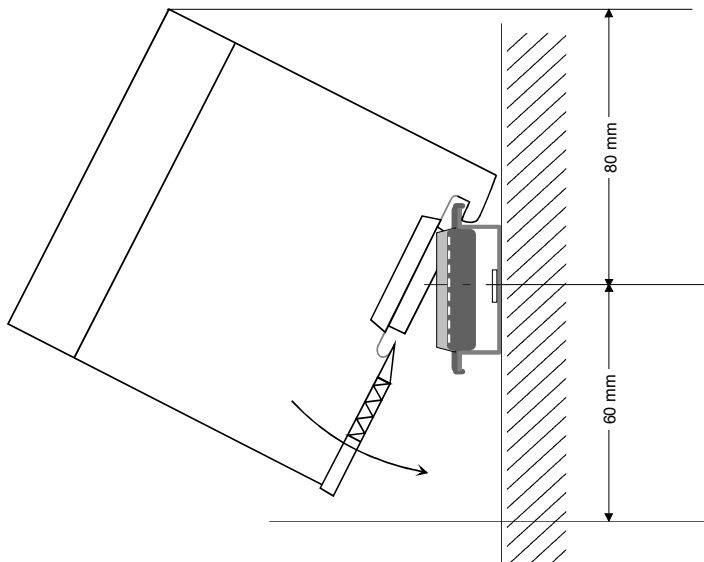
A maximum of 32 modules can be connected at the back plane bus. Take attention that here the **maximum sum current of 3.5A** is not exceeded.

Please install modules with a high current consumption directly beside the header module.

Dimensions

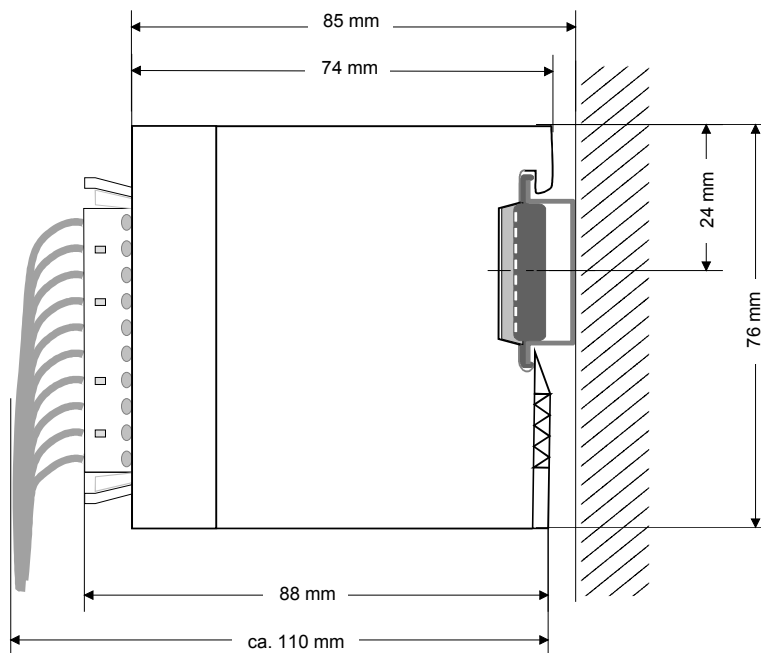
Dimensions 1tier width (HxWxD) in mm: 76 x 25.4 x 74
Basic enclosure 2tier width (HxWxD) in mm: 76 x 50.8 x 74

Installation dimensions

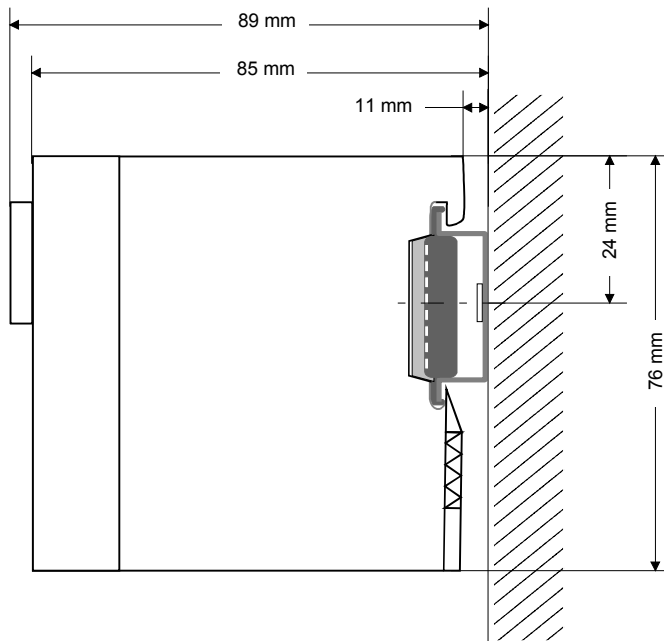


Installed and wired dimensions

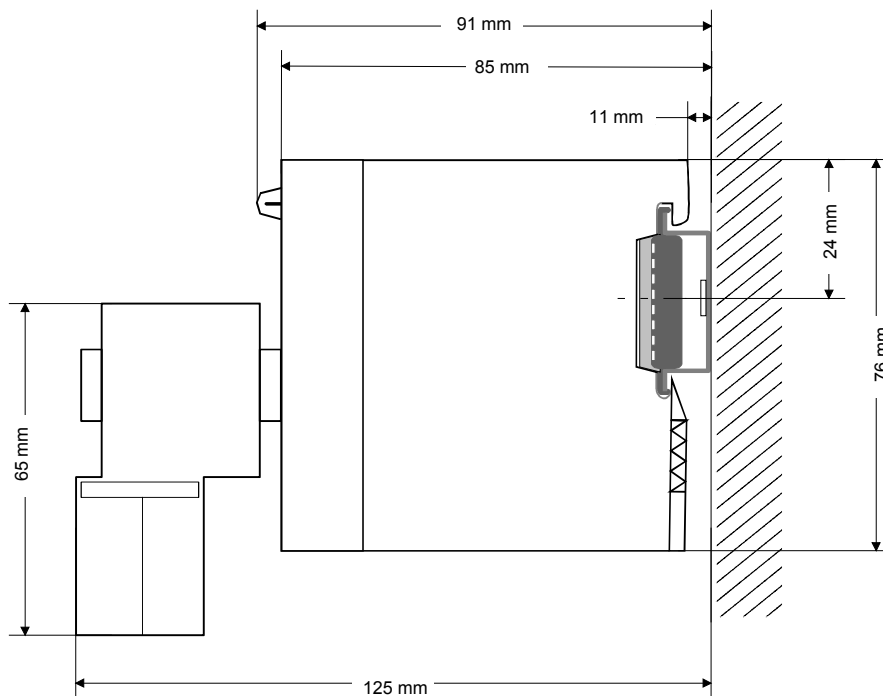
In- / Output modules



Function modules/
Extension modules



CPUs (here with
EasyConn from
VIPA)



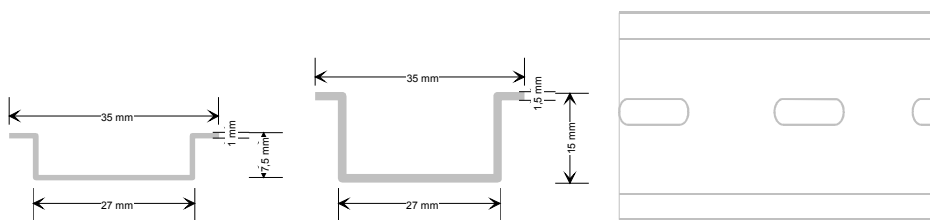
Installation

General

The modules are each installed on a 35mm profile rail and connected via a bus connector. Before installing the module the bus connector is to be placed on the profile rail before.

Profile rail

For installation the following 35mm profile rails may be used:

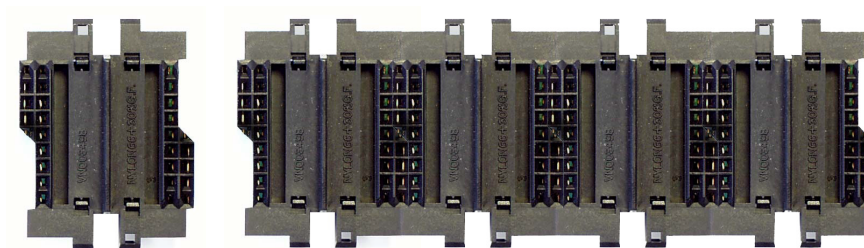


Order number	Label	Description
290-1AF00	35mm profile rail	Length 2000mm, height 15mm
290-1AF30	35mm profile rail	Length 530mm, height 15mm

Bus connector

System 200V modules communicate via a backplane bus connector. The backplane bus connector is isolated and available from VIPA in of 1-, 2-, 4- or 8tier width.

The following figure shows a 1tier connector and a 4tier connector bus:



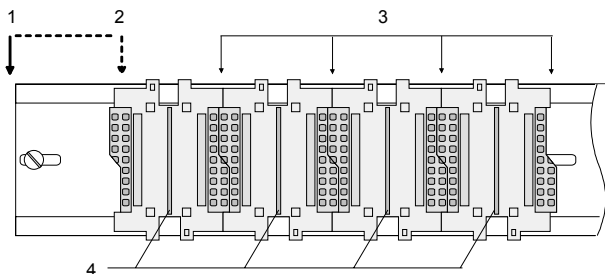
The bus connector is to be placed on the profile rail until it clips in its place and the bus connections look out from the profile rail.

Order number	Label	Description
290-0AA10	Bus connector	1tier
290-0AA20	Bus connector	2tier
290-0AA40	Bus connector	4tier
290-0AA80	Bus connector	8tier

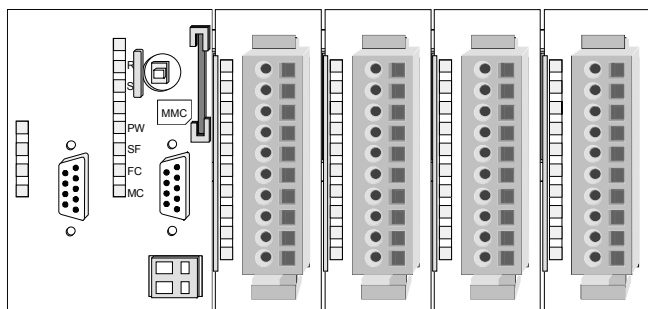
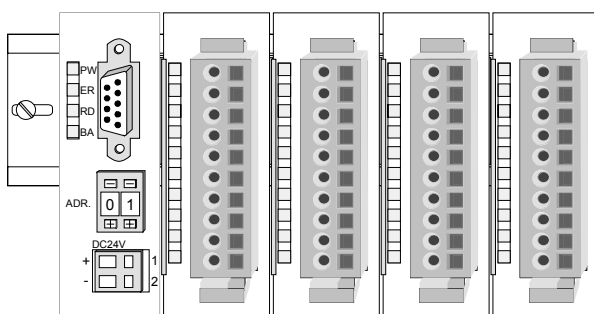
Installation on a profile rail

The following figure shows the installation of a 4tier width bus connector in a profile rail and the slots for the modules.

The different slots are defined by guide rails.



- [1] Header module (double width)
- [2] Header module (single width)
- [3] Peripheral module
- [4] Guide rails

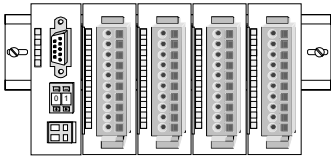


Assembly regarding the current consumption

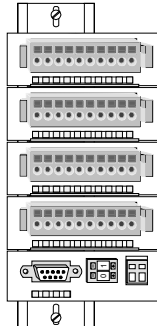
- Use bus connectors as long as possible.
- Sort the modules with a high current consumption right beside the header module. In the service area of www.vipa.com a list of current consumption of every System 200V module can be found.

Assembly possibilities

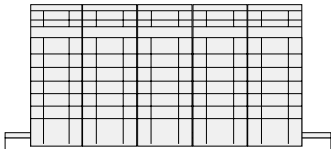
horizontal assembly



vertical assembly



lying assembly

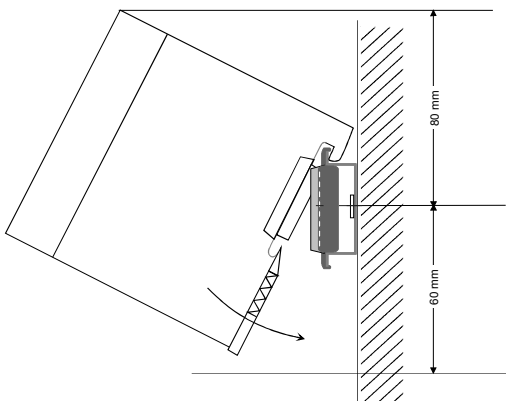


Please regard the allowed environmental temperatures:

- horizontal assembly: from 0 to 60°C
- vertical assembly: from 0 to 40°C
- lying assembly: from 0 to 40°C

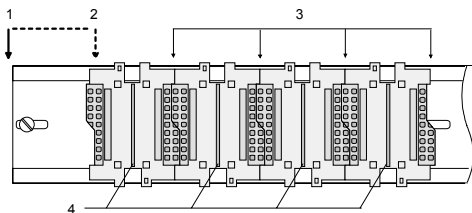
The horizontal assembly always starts at the left side with a header module, then you install the peripheral modules beside to the right.

You may install up to 32 peripheral modules.



Please follow these rules during the assembly!

- Turn off the power supply before you install or remove any modules!
- Make sure that a clearance of at least 60mm exists above and 80mm below the middle of the profile rail.



- Every row must be completed from left to right and it has to start with a header module.

- [1] Header module (double width)
- [2] Header module (single width)
- [3] Peripheral modules
- [4] Guide rails

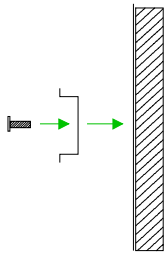
- Modules are to be installed side by side. Gaps are not permitted between the modules since this would interrupt the backplane bus.
- A module is only installed properly and connected electrically when it has clicked into place with an audible click.
- Slots after the last module may remain unoccupied.



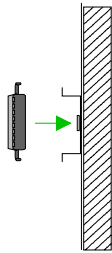
Note!

A maximum of 32 modules can be connected at the back plane bus. Take attention that here the maximum **sum current** of **3.5A** is not exceeded.

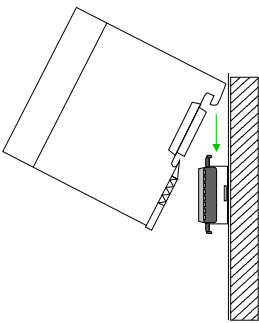
Assembly procedure



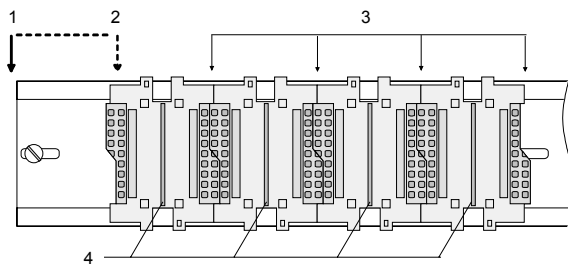
- Install the profile rail. Make sure that a clearance of at least 60mm exists above and 80mm below the middle of the profile rail.



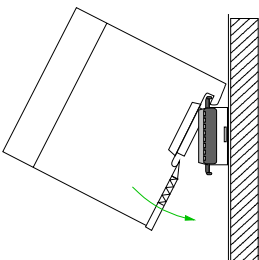
- Press the bus connector into the profile rail until it clips securely into place and the bus-connectors look out from the profile rail. This provides the basis for the installation of your modules.



- Start at the outer left location with the installation of your header module and install the peripheral modules to the right of this.



- [1] Header module (double width)
- [2] Header module (single width)
- [3] Peripheral module
- [4] Guide rails

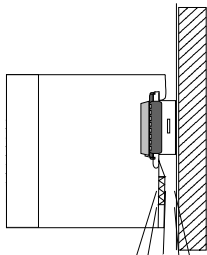


- Insert the module that you are installing into the profile rail at an angle of 45 degrees from the top and rotate the module into place until it clicks into the profile rail with an audible click. The proper connection to the backplane bus can only be guaranteed when the module has properly clicked into place.



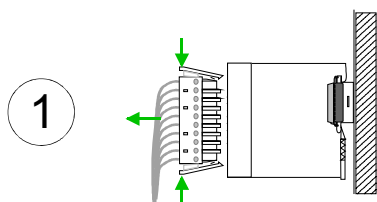
Attention!

Power must be turned off before modules are installed or removed!

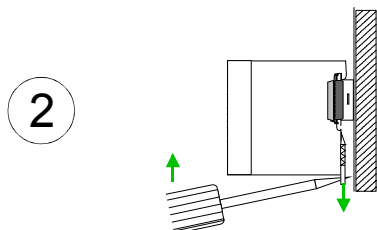


Clack

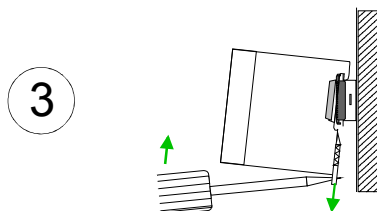
Demounting and module exchange



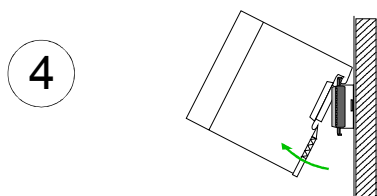
- Remove if exists the wiring to the module, by pressing both locking lever on the connector and pulling the connector.



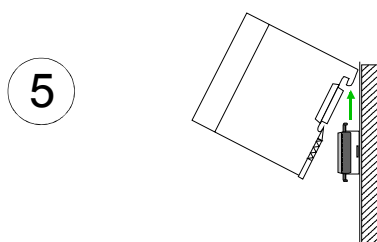
- The casing of the module has a spring loaded clip at the bottom by which the module can be removed.



- The clip is unlocked by pressing the screwdriver in an upward direction.



- Withdraw the module with a slight rotation to the top.



Attention!

Power must be turned off before modules are installed or removed!

Please regard that the backplane bus is interrupted at the point where the module was removed!

Wiring

Overview

Most peripheral modules are equipped with a 10pole or a 18pole connector. This connector provides the electrical interface for the signaling and supply lines of the modules.

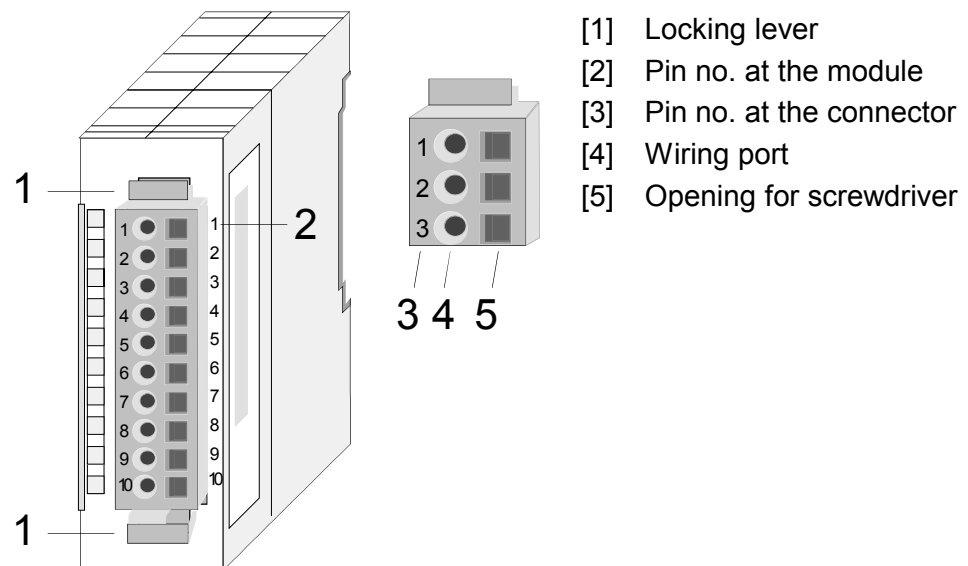
The modules carry spring-clip connectors for interconnections and wiring.

The spring-clip connector technology simplifies the wiring requirements for signaling and power cables.

In contrast to screw terminal connections, spring-clip wiring is vibration proof. The assignment of the terminals is contained in the description of the respective modules.

You may connect conductors with a diameter from 0.08mm² up to 2.5mm² (max. 1.5mm² for 18pole connectors).

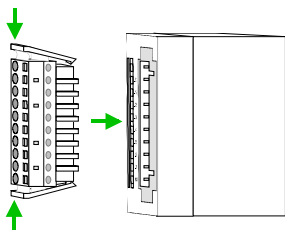
The following figure shows a module with a 10pole connector.



Note!

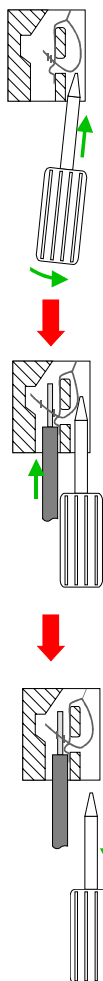
The spring-clip is destroyed if you push the screwdriver into the wire port! Make sure that you only insert the screwdriver into the square hole of the connector!

Wiring procedure



- Install the connector on the module until it locks with an audible click. For this purpose you press the two clips together as shown. The connector is now in a permanent position and can easily be wired.

The following section shows the wiring procedure from top view.



- Insert a screwdriver at an angle into the square opening as shown.
- Press and hold the screwdriver in the opposite direction to open the contact spring.
- Insert the stripped end of the wire into the round opening. You can use wires with a diameter of 0.08mm² to 2.5mm² (1.5mm² for 18pole connectors).
- By removing the screwdriver the wire is connected safely with the plug connector via a spring.



Note!

Wire the power supply connections first followed by the signal cables (inputs and outputs).

Installation guidelines

General The installation guidelines contain information about the interference free deployment of System 200V systems. There is the description of the ways, interference may occur in your control, how you can make sure the electromagnetic digestibility (EMC), and how you manage the isolation.

What means EMC? Electromagnetic digestibility (EMC) means the ability of an electrical device, to function error free in an electromagnetic environment without being interferenced res. without interfering the environment.
All System 200V components are developed for the deployment in hard industrial environments and fulfill high demands on the EMC. Nevertheless you should project an EMC planning before installing the components and take conceivable interference causes into account.

Possible interference causes Electromagnetic interferences may interfere your control via different ways:

- Electromagnetic fields (RF coupling)
- Magnetic fields with power frequency
- I/O signal conductors
- Bus system
- Current supply
- Protected earth conductor

Depending on the spreading medium (lead bound or lead free) and the distance to the interference cause, interferences to your control occur by means of different coupling mechanisms.

One differs:

- galvanic coupling
- capacitive coupling
- inductive coupling
- radiant coupling

Basic rules for EMC

In the most times it is enough to take care of some elementary rules to guarantee the EMC. Please regard the following basic rules when installing your PLC.

- Take care of a correct area-wide grounding of the inactive metal parts when installing your components.
 - Install a central connection between the ground and the protected earth conductor system.
 - Connect all inactive metal extensive and impedance-low.
 - Please try not to use aluminum parts. Aluminum is easily oxidizing and is therefore less suitable for grounding.
- When cabling, take care of the correct line routing.
 - Organize your cabling in line groups (high voltage, current supply, signal and data lines).
 - Always lay your high voltage lines and signal res. data lines in separate channels or bundles.
 - Route the signal and data lines as near as possible beside ground areas (e.g. suspension bars, metal rails, tin cabinet).
- Proof the correct fixing of the lead isolation.
 - Data lines must be laid isolated (for details see below).
 - Analog lines must be laid isolated. When transmitting signals with small amplitudes the one sided laying of the isolation may be favorable.
 - Lay the line isolation extensively on an isolation/protected earth conductor rail directly after the cabinet entry and fix the isolation with cable clamps.
 - Make sure that the isolation/protected earth conductor rail is connected impedance-low with the cabinet.
 - Use metallic or metalized plug cases for isolated data lines.
- In special use cases you should appoint special EMC actions.
 - Wire all inductivities with erase links, which are not addressed by the System SLIO modules.
 - For lightening cabinets you should avoid luminescent lamps.
- Create a homogeneous reference potential and ground all electrical operating supplies when possible.
 - Please take care for the targeted employment of the grounding actions. The grounding of the PLC is a protection and functionality activity.
 - Connect installation parts and cabinets with the System SLIO in star topology with the isolation/protected earth conductor system. So you avoid ground loops.
 - If potential differences between installation parts and cabinets occur, lay sufficiently dimensioned potential compensation lines.

Isolation of conductors

Electrical, magnetically and electromagnetic interference fields are weakened by means of an isolation, one talks of absorption.

Via the isolation rail, that is connected conductive with the rack, interference currents are shunt via cable isolation to the ground. Hereby you have to make sure, that the connection to the protected earth conductor is impedance-low, because otherwise the interference currents may appear as interference cause.

When isolating cables you have to regard the following:

- If possible, use only cables with isolation tangle.
- The hiding power of the isolation should be higher than 80%.
- Normally you should always lay the isolation of cables on both sides. Only by means of the both-sided connection of the isolation you achieve high quality interference suppression in the higher frequency area.
Only as exception you may also lay the isolation one-sided. Then you only achieve the absorption of the lower frequencies. A one-sided isolation connection may be convenient, if:
 - the conduction of a potential compensating line is not possible
 - analog signals (some mV res. μ A) are transferred
 - foil isolations (static isolations) are used.
- With data lines always use metallic or metalized plugs for serial couplings. Fix the isolation of the data line at the plug rack. Do not lay the isolation on the PIN 1 of the plug bar!
- At stationary operation it is convenient to strip the insulated cable interruption free and lay it on the isolation/protected earth conductor line.
- To fix the isolation tangles use cable clamps out of metal. The clamps must clasp the isolation extensively and have well contact.
- Lay the isolation on an isolation rail directly after the entry of the cable in the cabinet. Lead the isolation further on to the System 200V module and **don't** lay it on there again!

**Please regard at installation!**

At potential differences between the grounding points, there may be a compensation current via the isolation connected at both sides.

Remedy: Potential compensation line.

General data

Structure/ dimensions

- Profile rail 35mm
- Peripheral modules with recessed labelling
- Dimensions of the basic enclosure:
1tier width: (HxWxD) in mm: 76x25.4x74 in inches: 3x1x3
2tier width: (HxWxD) in mm: 76x50.8x74 in inches: 3x2x3

Reliability

- Wiring by means of spring pressure connections (CageClamps) at the front-facing connector, core cross-section 0.08 ... 2.5mm² or 1.5 mm² (18pole plug)
- Complete isolation of the wiring when modules are exchanged
- Every module is isolated from the backplane bus
- ESD/Burst acc. IEC 61000-4-2 / IEC 61000-4-4 (to level 3)
- Shock resistance acc. IEC 60068-2-6 / IEC 60068-2-27 (1G/12G)
- Class of protection IP20

Environmental conditions

- Operating temperature: 0 ... +60°C
- Storage temperature: -25 ... +70°C
- Relative humidity: 5 ... 95% without condensation
- Ventilation by means of a fan is not required

Chapter 2 Hardware description

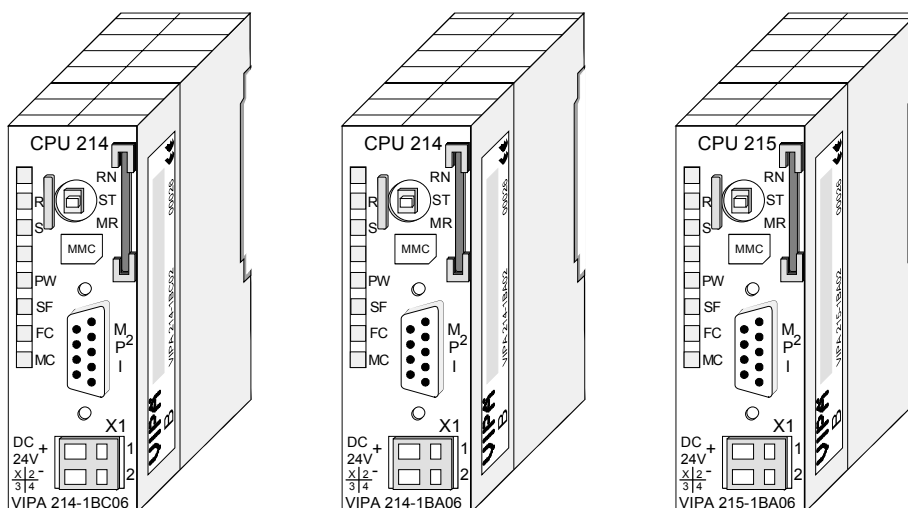
Overview Here the hardware components of the CPU are described. The technical data are at the end of the chapter.

Contents	Topic	Page
	Chapter 2 Hardware description.....	2-1
	Properties.....	2-2
	Structure	2-3
	Technical Data	2-6

Properties

CPU 21x-1Bx06

- Instruction set compatible with Siemens STEP®7
- Configuration by means of the Siemens SIMATIC manager respectively TIA Portal
- Integrated V-Bus controller for controlling System 200V peripherals
- Integrated 24V power supply
- Total address range: 1024Byte inputs, 1024Byte outputs (128Byte process image each)
- 48...128kByte of work memory "on board"
- 80...192kByte of load memory "on board"
- MMC slot (for user program)
- Battery backed clock
- MP²I interface for data transfer
- Status LEDs for operating mode and diagnostics

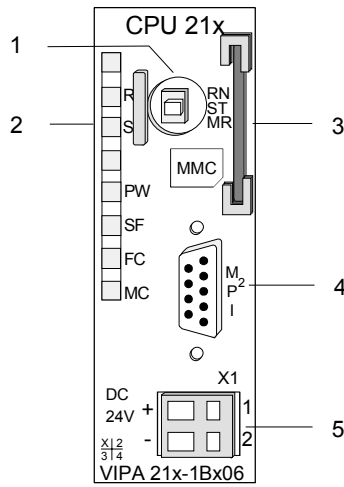


Order data

Type	Order number	Description
CPU 214C	VIPA 214-1BC06	PLC CPU 214 with 48/80kByte of work/load memory
CPU 214	VIPA 214-1BA06	PLC CPU 214 with 96/144kByte of work/load memory
CPU 215	VIPA 215-1BA06	PLC CPU 215 with 128/192kByte of work/load memory

Structure

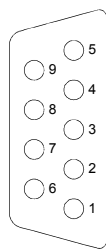
Front view CPU 21x



- [1] Operating mode switch
- [2] LEDs of the CPU
- [3] Slot for MMC memory card
- [4] MP²I interface
- [5] Slot for DC 24V power supply

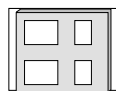
Interfaces

MP²I



- ① reserved
- ② M24V
- ③ RxD/TxD-P (line B)
- ④ RTS
- ⑤ M5V
- ⑥ P5V
- ⑦ P24V
- ⑧ RxD/TxD-N (line A)
- ⑨ n.c.

X1



- + ① + DC 24 V
- ② 0 V

Power supply

The CPU has an internal power supply. This is connected to an external supply voltage via two terminals located on the front of the unit.

The power supply requires DC 24V (20.4 ... 28.8V). In addition to the electronic circuitry of the CPU this supply voltage is used for the modules connected to the backplane bus.

The electronic circuitry of the CPU is not dc-insulated from the supply voltage. The power supply is protected against reverse polarity and short circuits.

**Note!**

Please ensure that the polarity of the supply voltage is correct.

MP²I interface

The MPI unit provides the link for the data transfer between the CPU and the PC. Via bus communication you are able to exchange programs and data between different CPUs that are linked over MPI.

For a serial exchange between the partners you normally need a special MPI-converter. But now you are also able to use the VIPA "Green Cable" (Order-No. VIPA 950-0KB00), which allows you to establish a serial peer-to-peer connection over the MPI interface.

Please regard the "Hints for the deployment of the MPI interface" in chapter "Deployment CPU 21x".

Memory management

The CPUs have an integrated work and a load memory. The memories are battery-buffered.

Order number	Work memory	Load memory
VIPA 214-1BC06	48kByte	80kByte
VIPA 214-1BA06	96kByte	144kByte
VIPA 215-1BA06	128kByte	192kByte

In the load memory there are program code and blocks stored together with the header information.

The program parts and blocks, which are relevant for the running program, are loaded to the work memory during the program sequence.

Operating mode switch



With the operating mode switch you may switch the CPU between STOP and RUN.

During the transition from STOP to RUN the operating mode START-UP is driven by the CPU.

By Switching to MR (Memory Reset) you request an overall reset with following load from MMC, if a project there exists.

MMC slot memory card

You may install a VIPA MMC memory card in this slot as external storage device (Order No.: VIPA 953-0KX10).

The access to the MMC takes always place after an overall reset.

Battery backup for clock and RAM

A rechargeable battery is installed on every CPU 21x to safeguard the contents of the RAM when power is removed. This battery is also used to buffer the internal clock.

The rechargeable battery is maintained by a charging circuit that receives its power from the internal power supply and that maintain the clock and RAM for a max. period of 30 days.



Attention!

Due to a long storage of the CPU, the battery may be discharged excessively. Please connect the CPU at least for 24 hours to the power supply, to achieve the full buffer capacity.

After a power reset and with an empty battery the CPU starts with a BAT error and executes an overall reset, because with an empty battery the RAM content is undefined.

LEDs CPU

The CPU has got LEDs on its front side. In the following the usage and the according colors of the LEDs is described.

Name	Color	Description
PW	green	Indicates CPU power on.
R	green	CPU status is RUN.
S	yellow	CPU status is STOP.
SF	red	Is turned on if a system error is detected (hardware defect)
FC	yellow	Is turned on when variables are forced (fixed).
MC	yellow	This LED blinks when the MMC is accessed.

Technical Data

214-1BC06

Order no.	214-1BC06
Type	CPU 214C
Technical data power supply	
Power supply (rated value)	DC 24 V
Power supply (permitted range)	DC 20.4...28.8 V
Reverse polarity protection	✓
Current consumption (no-load operation)	-
Current consumption (rated value)	1.5 A
Inrush current	65 A
I^2t	0.75 A ² s
Max. current drain at backplane bus	3 A
Power loss	3.5 W
Load and working memory	
Load memory, integrated	80 KB
Load memory, maximum	-
Work memory, integrated	48 KB
Work memory, maximal	-
Memory divided in 50% program / 50% data	-
Memory card slot	MMC-Card with max. 512 MB
Hardware configuration	
Racks, max.	4
Modules per rack, max.	total max. 32
Number of integrated DP master	-
Number of DP master via CP	8
Operable function modules	32
Operable communication modules PtP	32
Operable communication modules LAN	-
Status information, alarms, diagnostics	
Status display	yes
Interrupts	no
Process alarm	no
Diagnostic interrupt	no
Command processing times	
Bit instructions, min.	0.18 µs
Word instruction, min.	0.78 µs
Double integer arithmetic, min.	-
Floating-point arithmetic, min.	-
Timers/Counters and their retentive characteristics	
Number of S7 counters	256
Number of S7 times	256
Data range and retentive characteristic	
Number of flags	8192 Bit
Number of data blocks	2047
Max. data blocks size	16 KB
Max. local data size per execution level	1024 Byte
Blocks	
Number of OBs	14
Number of FBs	1024
Number of FCs	1024
Maximum nesting depth per priority class	7
Maximum nesting depth additional within an error OB	1

Order no.	214-1BC06
Time	
Real-time clock buffered	✓
Clock buffered period (min.)	30 d
Accuracy (max. deviation per day)	10 s
Number of operating hours counter	8
Clock synchronization	-
Synchronization via MPI	-
Synchronization via Ethernet (NTP)	-
Address areas (I/O)	
Input I/O address area	1024 Byte
Output I/O address area	1024 Byte
Input process image maximal	128 Byte
Output process image maximal	128 Byte
Digital inputs	8192
Digital outputs	8192
Digital inputs central	512
Digital outputs central	512
Integrated digital inputs	-
Integrated digital outputs	-
Analog inputs	512
Analog outputs	512
Analog inputs, central	128
Analog outputs, central	128
Integrated analog inputs	-
Integrated analog outputs	-
Communication functions	
PG/OP channel	✓
Global data communication	✓
Number of GD circuits, max.	4
Size of GD packets, max.	22 Byte
S7 basic communication	✓
S7 basic communication, user data per job	76 Byte
S7 communication	✓
S7 communication as server	✓
S7 communication as client	-
S7 communication, user data per job	160 Byte
Number of connections, max.	16
Functionality Sub-D interfaces	
Type	MP ² I
Type of interface	RS485
Connector	Sub-D, 9-pin, female
Electrically isolated	-
MPI	✓
MP ² I (MPI/RS232)	✓
DP master	-
DP slave	-
Point-to-point interface	-
Functionality MPI	
Number of connections, max.	16
PG/OP channel	✓
Routing	-
Global data communication	✓
S7 basic communication	✓
S7 communication	✓
S7 communication as server	✓
S7 communication as client	-

Order no.	214-1BC06
Transmission speed, min.	19.2 kbit/s
Transmission speed, max.	187.5 kbit/s
Datasizes	
Input bytes	0
Output bytes	0
Parameter bytes	3
Diagnostic bytes	0
Housing	
Material	PPE / PA 6.6
Mounting	Profile rail 35 mm
Mechanical data	
Dimensions (WxHxD)	25.4 x 76 x 80 mm
Weight	100 g
Environmental conditions	
Operating temperature	0 °C to 60 °C
Storage temperature	-25 °C to 70 °C
Certifications	
UL508 certification	in preparation

214-1BA06

Order no.	214-1BA06
Type	CPU 214
Technical data power supply	
Power supply (rated value)	DC 24 V
Power supply (permitted range)	DC 20.4...28.8 V
Reverse polarity protection	✓
Current consumption (no-load operation)	-
Current consumption (rated value)	1.5 A
Inrush current	65 A
I^2t	0.75 A ² s
Max. current drain at backplane bus	3 A
Power loss	3.5 W
Load and working memory	
Load memory, integrated	144 KB
Load memory, maximum	-
Work memory, integrated	96 KB
Work memory, maximal	-
Memory divided in 50% program / 50% data	-
Memory card slot	MMC-Card with max. 512 MB
Hardware configuration	
Racks, max.	4
Modules per rack, max.	total max. 32
Number of integrated DP master	-
Number of DP master via CP	8
Operable function modules	32
Operable communication modules PtP	32
Operable communication modules LAN	-
Status information, alarms, diagnostics	
Status display	yes
Interrupts	no
Process alarm	no
Diagnostic interrupt	no
Command processing times	
Bit instructions, min.	0.18 µs
Word instruction, min.	0.78 µs
Double integer arithmetic, min.	-
Floating-point arithmetic, min.	-
Timers/Counters and their retentive characteristics	
Number of S7 counters	256
Number of S7 times	256
Data range and retentive characteristic	
Number of flags	8192 Bit
Number of data blocks	2047
Max. data blocks size	16 KB
Max. local data size per execution level	1024 Byte
Blocks	
Number of OBs	14
Number of FBs	1024
Number of FCs	1024
Maximum nesting depth per priority class	7
Maximum nesting depth additional within an error OB	1
Time	
Real-time clock buffered	✓
Clock buffered period (min.)	30 d
Accuracy (max. deviation per day)	10 s

Order no.	214-1BA06
Number of operating hours counter	8
Clock synchronization	-
Synchronization via MPI	-
Synchronization via Ethernet (NTP)	-
Address areas (I/O)	
Input I/O address area	1024 Byte
Output I/O address area	1024 Byte
Input process image maximal	128 Byte
Output process image maximal	128 Byte
Digital inputs	8192
Digital outputs	8192
Digital inputs central	512
Digital outputs central	512
Integrated digital inputs	-
Integrated digital outputs	-
Analog inputs	512
Analog outputs	512
Analog inputs, central	128
Analog outputs, central	128
Integrated analog inputs	-
Integrated analog outputs	-
Communication functions	
PG/OP channel	✓
Global data communication	✓
Number of GD circuits, max.	4
Size of GD packets, max.	22 Byte
S7 basic communication	✓
S7 basic communication, user data per job	76 Byte
S7 communication	✓
S7 communication as server	✓
S7 communication as client	-
S7 communication, user data per job	160 Byte
Number of connections, max.	16
Functionality Sub-D interfaces	
Type	MP ² I
Type of interface	RS485
Connector	Sub-D, 9-pin, female
Electrically isolated	-
MPI	✓
MP ² I (MPI/RS232)	✓
DP master	-
DP slave	-
Point-to-point interface	-
Functionality MPI	
Number of connections, max.	16
PG/OP channel	✓
Routing	-
Global data communication	✓
S7 basic communication	✓
S7 communication	✓
S7 communication as server	✓
S7 communication as client	-
Transmission speed, min.	19.2 kbit/s
Transmission speed, max.	187.5 kbit/s
Datasizes	
Input bytes	0

Order no.	214-1BA06
Output bytes	0
Parameter bytes	3
Diagnostic bytes	0
Housing	
Material	PPE / PA 6.6
Mounting	Profile rail 35 mm
Mechanical data	
Dimensions (WxHxD)	25.4 x 76 x 80 mm
Weight	100 g
Environmental conditions	
Operating temperature	0 °C to 60 °C
Storage temperature	-25 °C to 70 °C
Certifications	
UL508 certification	in preparation

215-1BA06

Order no.	215-1BA06
Type	CPU 215
Technical data power supply	
Power supply (rated value)	DC 24 V
Power supply (permitted range)	DC 20.4...28.8 V
Reverse polarity protection	✓
Current consumption (no-load operation)	-
Current consumption (rated value)	1.5 A
Inrush current	65 A
I^2t	0.75 A ² s
Max. current drain at backplane bus	3 A
Power loss	3.5 W
Load and working memory	
Load memory, integrated	192 KB
Load memory, maximum	-
Work memory, integrated	128 KB
Work memory, maximal	-
Memory divided in 50% program / 50% data	-
Memory card slot	MMC-Card with max. 512 MB
Hardware configuration	
Racks, max.	4
Modules per rack, max.	total max. 32
Number of integrated DP master	-
Number of DP master via CP	8
Operable function modules	32
Operable communication modules PtP	32
Operable communication modules LAN	-
Status information, alarms, diagnostics	
Status display	yes
Interrupts	no
Process alarm	no
Diagnostic interrupt	no
Command processing times	
Bit instructions, min.	0.18 μ s
Word instruction, min.	0.78 μ s
Double integer arithmetic, min.	-
Floating-point arithmetic, min.	-
Timers/Counters and their retentive characteristics	
Number of S7 counters	256
Number of S7 times	256
Data range and retentive characteristic	
Number of flags	8192 Bit
Number of data blocks	2047
Max. data blocks size	16 KB
Max. local data size per execution level	1024 Byte
Blocks	
Number of OBs	14
Number of FBs	1024
Number of FCs	1024
Maximum nesting depth per priority class	7
Maximum nesting depth additional within an error OB	1
Time	
Real-time clock buffered	✓
Clock buffered period (min.)	30 d
Accuracy (max. deviation per day)	10 s

Order no.	215-1BA06
Number of operating hours counter	8
Clock synchronization	-
Synchronization via MPI	-
Synchronization via Ethernet (NTP)	-
Address areas (I/O)	
Input I/O address area	1024 Byte
Output I/O address area	1024 Byte
Input process image maximal	128 Byte
Output process image maximal	128 Byte
Digital inputs	8192
Digital outputs	8192
Digital inputs central	512
Digital outputs central	512
Integrated digital inputs	-
Integrated digital outputs	-
Analog inputs	512
Analog outputs	512
Analog inputs, central	128
Analog outputs, central	128
Integrated analog inputs	-
Integrated analog outputs	-
Communication functions	
PG/OP channel	✓
Global data communication	✓
Number of GD circuits, max.	4
Size of GD packets, max.	22 Byte
S7 basic communication	✓
S7 basic communication, user data per job	76 Byte
S7 communication	✓
S7 communication as server	✓
S7 communication as client	-
S7 communication, user data per job	160 Byte
Number of connections, max.	16
Functionality Sub-D interfaces	
Type	MP ² I
Type of interface	RS485
Connector	Sub-D, 9-pin, female
Electrically isolated	-
MPI	✓
MP ² I (MPI/RS232)	✓
DP master	-
DP slave	-
Point-to-point interface	-
Functionality MPI	
Number of connections, max.	16
PG/OP channel	✓
Routing	-
Global data communication	✓
S7 basic communication	✓
S7 communication	✓
S7 communication as server	✓
S7 communication as client	-
Transmission speed, min.	19.2 kbit/s
Transmission speed, max.	187.5 kbit/s
Datasizes	
Input bytes	0

Order no.	215-1BA06
Output bytes	0
Parameter bytes	3
Diagnostic bytes	0
Housing	
Material	PPE / PA 6.6
Mounting	Profile rail 35 mm
Mechanical data	
Dimensions (WxHxD)	25.4 x 76 x 80 mm
Weight	100 g
Environmental conditions	
Operating temperature	0 °C to 60 °C
Storage temperature	-25 °C to 70 °C
Certifications	
UL508 certification	in preparation

Chapter 3 Deployment CPU 21x-1Bx06

Overview

This chapter describes the deployment of the CPU in the System 200V. The description refers directly to the CPU and to the deployment in connection with peripheral modules, mounted on a profile rail together with the CPU at the backplane bus.

Content

Topic	Page
Chapter 3 Deployment CPU 21x-1Bx06	3-1
Assembly.....	3-2
Start-up behavior.....	3-2
Addressing	3-3
Hints for the deployment of the MPI interface	3-5
SIMATIC Manager - Limitations.....	3-6
Hardware configuration - CPU.....	3-7
Hardware configuration - I/O modules	3-9
Setting CPU parameters.....	3-10
Project transfer.....	3-14
Operating modes.....	3-18
Overall reset.....	3-20
Firmware update	3-22
Factory reset	3-24
VIPA specific diagnostic entries.....	3-25
Using test functions for control and monitoring of variables	3-27

Assembly

**Note!**

Information about assembly and cabling may be found at chapter "Basics and Assembly".

Start-up behavior

Turn on power supply

When the CPU is delivered it has been reset. After the power supply has been switched on, the CPU changes to the operating mode the operating mode lever shows. After a STOP→RUN transition the CPU switches to RUN without program.

**Note!**

Due to a long storage of the CPU, the battery may be discharged excessively. Please connect the CPU at least for 24 hours to the power supply, to achieve the full buffer capacity.

Boot procedure with valid data in the CPU

The CPU switches to RUN with the program stored in the battery buffered RAM.

Boot procedure with empty battery

The accumulator/battery is automatically loaded via the integrated power supply and guarantees a buffer for max. 30 days. If this time is exceeded, the battery may be totally discharged. This means that the battery buffered RAM is deleted.

In this state, the CPU executes an overall reset because with an empty battery the RAM content is undefined. If a MMC with a S7PROG.WLD is plugged, program code and data blocks are transferred from the MMC into the work memory of the CPU.

If there is no MMC, the project from the internal Flash is loaded.

Depending on the position of the operating mode switch, the CPU remains in STOP respectively switches to RUN. Due to the battery error the CPU can only boot if there was an OB81 configured. Otherwise a manual restart (STOP/RUN) respectively PG command is necessary.

On a start-up with an empty battery the SF LED is on and thus points to an entry in the diagnostic buffer. Information about the Event-IDs can be found at "VIPA specific diagnostic entries".

**Attention!**

After a power reset and with an empty battery the CPU starts with a BAT error and executes an overall reset.

Addressing

Automatic addressing

To provide specific addressing of the installed peripheral modules, certain addresses must be allocated in the CPU.

The CPU contains a peripheral area (addresses 0 ... 1023) and a process image of the inputs and the outputs (for both each address 0 ... 127).

When the CPU is initialized it automatically assigns peripheral addresses to the digital input/output modules starting from 0.

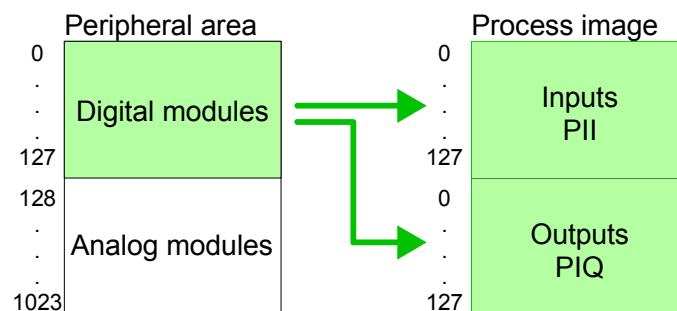
If there is no hardware projecting, analog modules are allocated to even addresses starting from address 128.

Signaling states in the process image

The signaling states of the lower addresses (0 ... 127) are additionally saved in a special memory area called the *process image*.

The process image is divided into two parts:

- process image of the inputs (PII)
- process image of the outputs (PIQ)



The process image is updated automatically when a cycle has been completed.

Read/write access

You may access the modules by means of read or write operations on the peripheral bytes or on the process image.



Note!

Please remember that you may access different modules by means of read and write operations on the same address.

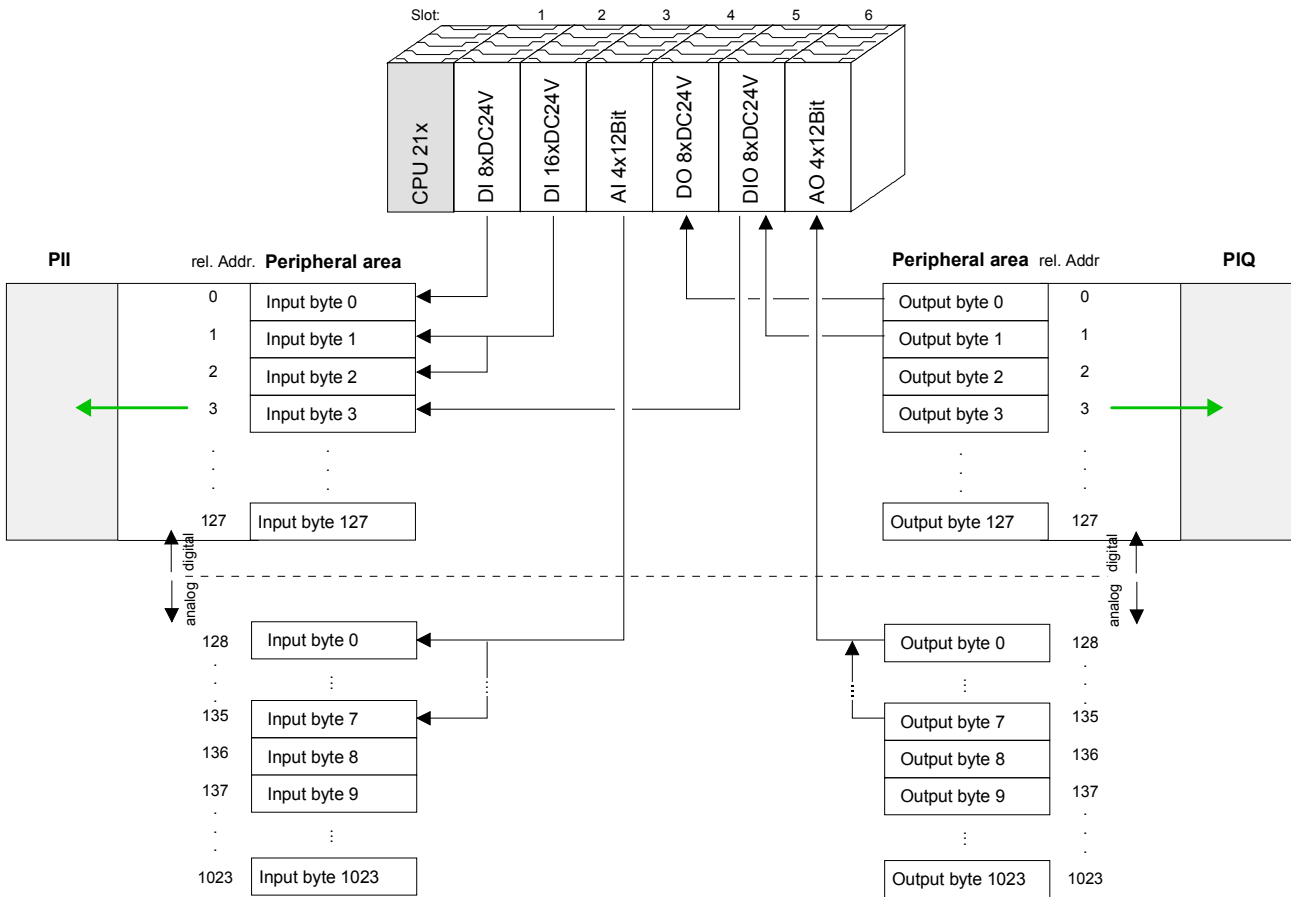
The addressing ranges of digital and analog modules are different when they are addressed automatically.

Digital modules: 0 ... 127

Analog modules: 128 ... 1023

**Example for auto-
matic address
allocation**

The following figure illustrates the automatic allocation of addresses:



**Modifying allocated
addresses by
configuration**

You may change the allocated addresses at any time by means of the Siemens SIMATIC manager. In this way you may also change the addresses of analog modules to the range covered by the process image (0 ... 127) and address digital modules above 127.

The following pages describe the required preparations and the procedure for this type of configuration.

Hints for the deployment of the MPI interface

What is MP²I?

The MP²I jack combines 2 interfaces in 1:

- MP interface
- RS232 interface

Please regard that the RS232 functionality is only available by using the Green Cable from VIPA.

Deployment as MP interface

The MP interface provides the data transfer between CPUs and PCs. In a bus communication you may transfer programs and data between the CPUs interconnected via MPI.

Connecting a common MPI cable, the MPI jack supports the full MPI functionality.



Important notes for the deployment of MPI cables!

Deploying MPI cables at the CPUs from VIPA, you have to make sure that Pin 1 is not connected. This may cause transfer problems and in some cases damage the CPU!

Especially PROFIBUS cables from Siemens, like e.g. the 6XV1 830-1CH30, must not be deployed at MP²I jack.

For damages caused by nonobservance of these notes and at improper deployment, VIPA does not take liability!

Deployment as RS232 interface only via "Green Cable"

For the serial data transfer from your PC, you normally need a MPI transducer. Fortunately you may also use the "Green Cable" from VIPA. You can order this under the order no. VIPA 950-0KB00.



The "Green Cable" supports a serial point-to-point connection for data transfer via the MP²I jack exclusively for VIPA CPUs.

SIMATIC Manager - Limitations

General

Since the VIPA-CPU is configured as CPU 315-2AG10 in the Siemens SIMATIC manager, there are limitations with the configuration of the VIPA-CPU, which are in the following described.

Operating blocks - OBs

- OB 55 "Status interrupt" is not supported by the VIPA-CPU.
- OB 56 "Update interrupt" is not supported by the VIPA-CPU.
- The phase shift, available for the OB 35 "Watchdog" in the Siemens SIMATIC manager, is not evaluated by the VIPA-CPU.

Further limitations

- "Plant designation" and "location identifier" in the Siemens SIMATIC manager are not supported by the VIPA-CPU.
- In contrast to the Siemens CPU 315-2AG10 with a periphery address area 0 to 2047, the periphery address area of the VIPA-CPU is limited to 0 to 1023.
- The bit memory (retentive memory) area is limited to 0 to 1023.

Hardware configuration - CPU

Overview

For the project engineering of the CPU 21x and the other System 200V modules connected to the same VIPA bus, the hardware configurator from Siemens is to be used.

To address the directly plugged peripheral modules, you have to assign a special address in the CPU to every module.

The address allocation and the parameterization of the modules takes place in the Siemens SIMATIC manager as a virtual PROFIBUS system. For the PROFIBUS interface is standardized software sided, the functionality is guaranteed by including a GSD-file into the Siemens SIMATIC manager.

Transfer your project into the CPU via the MPI interface.

Requirements

The following conditions must be fulfilled for project engineering:

- The Siemens SIMATIC manager is installed at PC respectively PU
- The GSD files have been included in Siemens hardware configurator
- Serial connection to the CPU (e.g. MPI-Adapter)



Note!

The configuration of the CPU requires a thorough knowledge of the Siemens SIMATIC manager and the hardware configurator!

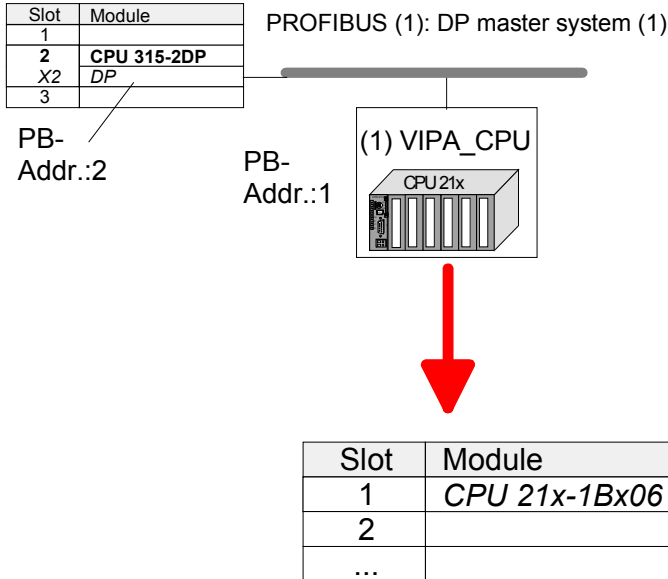
Including the GSD-file

- Go to www.vipa.com > Service > Download > PROFIBUS GSD files and download the file *System_100V_-_200V_Vxxx.zip*.
- Extract the file to your work directory. The *vipa_21x.gsd* (German) respectively *vipa_21x.gse* (English) can be found at the directory *CPU21x*.
- Start the Siemens hardware configurator and close every project.
- Go to **Options** > *Install new GSD file*
- Navigate to the directory *CPU21x* and choose the corresponding file ***vipa_21x.gsd*** (German) or ***vipa_21x.gse*** (English)

Now the modules of the VIPA System 200V are integrated in the hardware catalog at *PROFIBUS-DP \ Additional field devices \ I/O \ VIPA_System_200V*.

Proceeding

To be compatible with the Siemens SIMATIC manager the following steps should be executed:



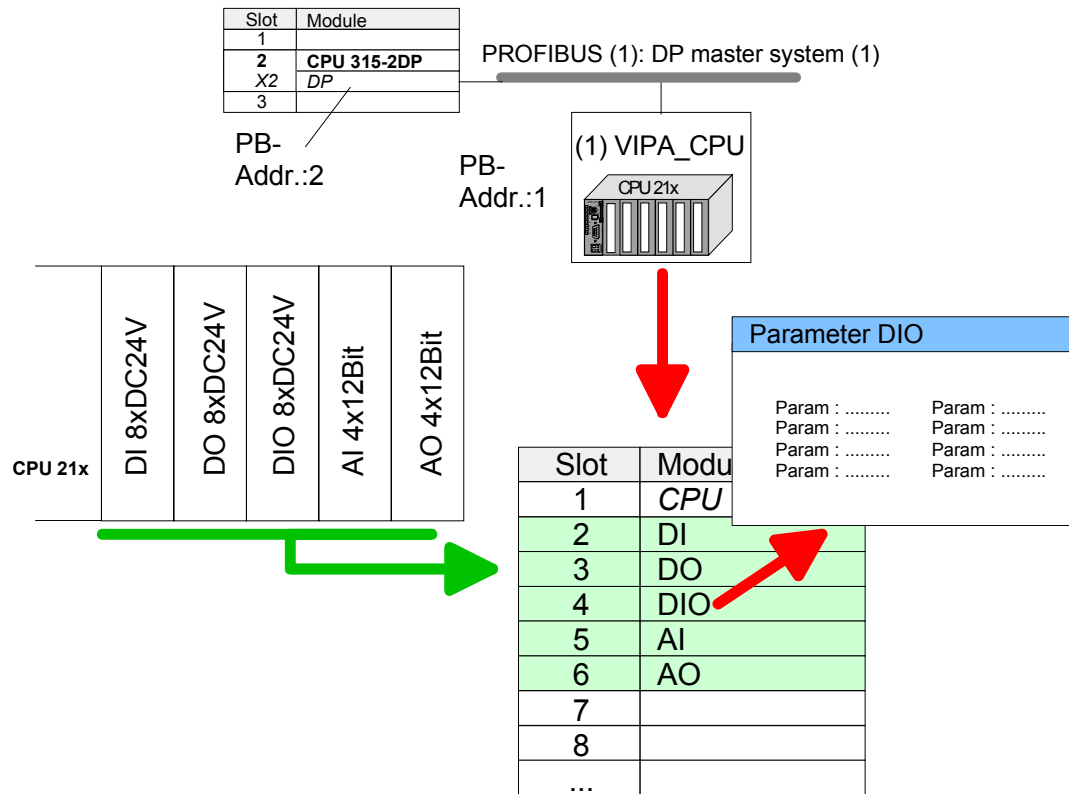
- Start the hardware configurator from Siemens with a new project.
- Insert a profile rail from the hardware catalog.
- Place at slot 2 the following CPU from Siemens:
CPU 315-2DP (315-2AG10-0AB00 V2.6)
- For the System 200V create a new PROFIBUS subnet.
- Attach the slave system "VIPA_CPU21x" to the subnet with **PROFIBUS-Address 1**.
After installing the vipa_21x.gsd the slave system may be found at the hardware catalog at PROFIBUS DP > Additional field devices > IO > VIPA_System_200V.
- Place **always at the 1. slot** the corresponding CPU 21x-1Bx06, by taking it from the hardware catalog.

Hardware configuration - I/O modules

Hardware configuration of the modules

After the hardware configuration of the CPU place the System 200V modules in the plugged sequence.

In order to address the installed peripheral modules individually, specific addresses in the CPU have to be assigned to them.



Parameterization

For parameterization double-click during the project engineering at the slot overview on the module you want to parameterize. In the appearing dialog window you may set the wanted parameters.

Parameterization during runtime

By using the SFCs 55, 56 and 57 you may alter and transfer parameters for wanted modules during runtime.

For this you have to store the module specific parameters in so called "record sets".

More detailed information about the structure of the record sets is to find in the according module description.

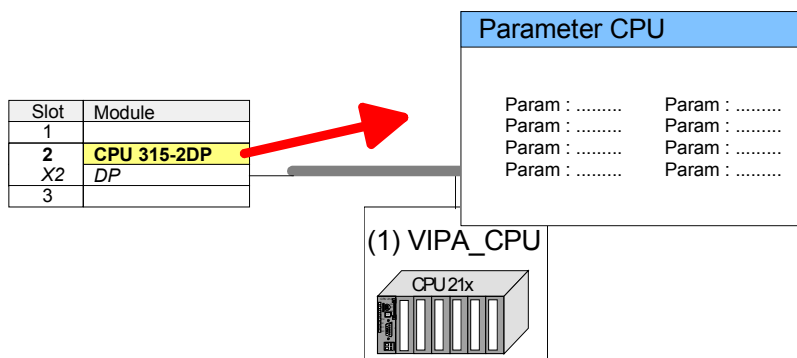
Setting CPU parameters

Parameterization via Siemens CPU 315-2AG10

Since the CPU from VIPA is to be configured as Siemens CPU 315-2DP (315-2AG10-0AB00 V2.6) in the Siemens hardware configurator, the parameters of the VIPA CPU may be set with "Object properties" of the CPU 315-2DP during hardware configuration.

Via a double-click on the CPU 315-2DP the parameter window of the CPU may be accessed.

Using the registers you get access to every standard parameter of the CPU.



Supported parameters

The CPU does not evaluate each parameter, which may be set at the hardware configuration.

The following parameters are supported by the CPU at this time:

General

Short description The short description of the Siemens CPU 315-2AG10 is CPU 315-2DP.

Order No. / Firmware Order number and firmware are identical to the details in the "hardware catalog" window.

Name The *Name* field provides the *short description* of the CPU. If you change the name the new name appears in the Siemens SIMATIC manager.

Comment In this field information about the module may be entered.

Startup

Startup when expected/actual configuration differs If the checkbox for "Startup when expected/actual configuration differ" is *deselected* and at least one module is not located at its configured slot or if another type of module is inserted there instead, then the CPU does not switch to RUN mode and remains in STOP mode.

If the checkbox for "Startup when expected/actual configuration differ" is *selected*, then the CPU starts even if there are modules not located in their configured slots or if another type of module is inserted there instead, such as during an initial system start-up.

Monitoring time for ready message by modules [100ms] This operation specifies the maximum time for the ready message of every configured module after PowerON. Here connected PROFIBUS DP slaves are also considered until they are parameterized. If the modules do not send a ready message to the CPU by the time the monitoring time has expired, the actual configuration becomes unequal to the preset configuration.

Monitoring time for transfer of parameters to modules [100ms] The maximum time for the transfer of parameters to parameterizable modules. If not every module has been assigned parameters by the time this monitoring time has expired; the actual configuration becomes unequal to the preset configuration.

Cycle/Clock memory

Update OB1 process image cyclically This parameter is not relevant.

Scan cycle monitoring time Here the scan cycle monitoring time in milliseconds may be set. If the scan cycle time exceeds the scan cycle monitoring time, the CPU enters the STOP mode. Possible reasons for exceeding the time are:

- Communication processes
- a series of interrupt events
- an error in the CPU program

Minimum scan cycle time This parameter is not relevant.

OB85 call up at I/O access error The preset reaction of the CPU may be changed to an I/O access error that occurs during the update of the process image by the system. The VIPA CPU is preset such that OB 85 is not called if an I/O access error occurs and no entry is made in the diagnostic buffer either.

Clock memory Activate the check box if you want to use clock memory and enter the number of the memory byte.



Note!

The selected memory byte cannot be used for temporary data storage.

Retentive Memory

Number of Memory Bytes from MB0	Enter the number of retentive memory bytes from memory byte 0 onwards. Retentive values > 1024 are not allowed.
Number of S7 Timers from T0	Enter the number of retentive <i>S7 timers</i> from T0 onwards. Each <i>S7 timer</i> occupies 2bytes.
Number of S7 Counters from C0	Enter the number of retentive <i>S7 counter</i> from C0 onwards.
Areas	These parameters are not relevant.

Interrupts

Priority	Here the priorities are displayed, according to which the hardware interrupt OBs are processed (hardware interrupt, time-delay interrupt, async. error interrupts).
----------	---

Time-of-day interrupts

Priority	Here the priorities may be specified according to which the time-of-day interrupt is processed. With priority "0" the corresponding OB is deactivated.
Active	Activate the check box of the time-of-day interrupt OBs if these are to be automatically started on complete restart.
Execution	Select how often the interrupts are to be triggered. Intervals ranging from every minute to yearly are available. The intervals apply to the settings made for <i>start date</i> and <i>time</i> .
Start date / time	Enter date and time of the first execution of the time-of-day interrupt.
Process image partition	This parameter is not supported.

Cyclic interrupts

Priority	Here the priorities may be specified according to which the corresponding cyclic interrupt is processed. With priority "0" the corresponding interrupt is deactivated.
----------	--

Execution Enter the time intervals in ms, in which the watchdog interrupt OBs should be processed. The start time for the clock is when the operating mode switch is moved from STOP to RUN.

Process image partition This parameter is not supported.

Protection

Level of protection Here 1 of 3 protection levels may be set to protect the CPU from unauthorized access.

Protection level 1 (default setting):

- No password adjustable, no restrictions

Protection level 2 with password:

- Authorized users: read and write access
- Unauthorized user: read access only

Protection level 3:

- Authorized users: read and write access
- Unauthorized user: no read and write access

Project transfer

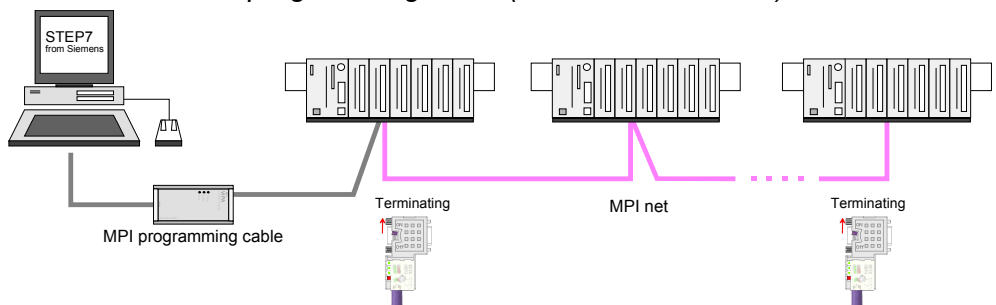
- Overview** There are the following possibilities for project transfer into the CPU:
- Transfer via MPI
 - Transfer via MMC when using a MMC programmer

Transfer via MPI The structure of a MPI net is electrically identical with the structure of a PROFIBUS net. This means the same rules are valid and you use the same components for the build-up. The single participants are connected with each other via bus interface plugs and PROFIBUS cables. Per default the MPI net runs with 187.5kbaud. VIPA CPUs are delivered with MPI address 2.

MPI programming cable The MPI programming cables are available at VIPA in different variants. The cables provide a RS232 res. USB plug for the PC and a bus enabled RS485 plug for the CPU. Due to the RS485 connection you may plug the MPI programming cables directly to an already plugged plug on the RS485 jack. Every bus participant identifies itself at the bus with an unique address, in the course of the address 0 is reserved for programming devices.

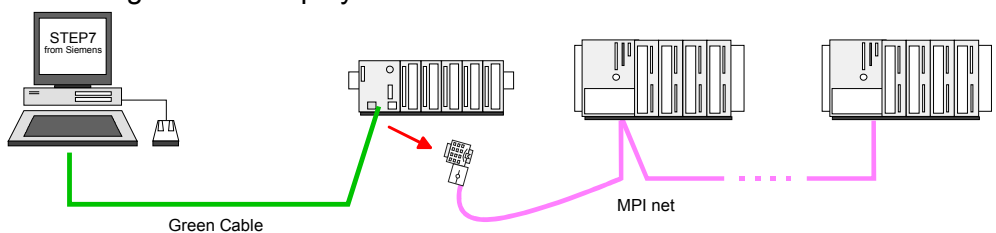
Terminating resistor A cable has to be terminated with its surge impedance. For this you switch on the terminating resistor at the first and the last participant of a network or a segment. Please make sure that the participants with the activated terminating resistors are always power supplied. Otherwise it may cause interferences on the bus.

Transfer with MPI programming cable (MPI communication)



Transfer via Green Cable (serial communication)

Via exclusively direct plugging of the Green Cable to a MP²I jack you may establish a serial connection between PC and CPU. Set the PC-COM port and the transfer rate 38400Baud at *Local port*. The settings of the register *MPI* are ignored at employment of the Green Cable.



Configure MPI

Hints for configuring a MPI interface are to find in the documentation of your programming software.

The "Green Cable" has the order number VIPA 950-0KB00.

**Attention!**

Please regard, that you may use the "Green Cable" exclusively at VIPA CPUs with MP²I-interface!

Please regard the hints for deploying the Green Cable and the MP²I jack!

Approach transfer via MPI interface

- Connect your PC to the MPI jack of your CPU via a MPI programming cable.
- Load your project in the SIMATIC manager from Siemens.
- Choose in the menu **Options** > *Set PG/PC interface*
- Select in the according list the "PC Adapter (MPI)"; if appropriate you have to add it first, then click on [Properties].
- Set in the register *MPI* the transfer parameters of your MPI net and type a valid *address*.
- Switch to the register *Local connection*
- Set the COM port of the PC and the transfer rate 38400Baud for the MPI programming cable from VIPA.
- Via **PLC** > *Load to module* you may transfer your project via MPI to the CPU and save it on a MMC via **PLC** > *Copy RAM to ROM* if one is plugged.

**Note!**

Please make sure to adjust the transfer rate to 38400Baud when using the "Green Cable" from VIPA.

Hints for the Green Cable

The Green Cable is a green connection cable, manufactured exclusively for the deployment at VIPA System components.

The Green Cable is a programming and download cable for VIPA CPUs MP²I jack and VIPA field bus masters. The Green Cable from VIPA is available under the order no. VIPA 950-0KB00.



The Green Cable allows you to:

- *transfer projects serial*
Avoiding high hardware needs (MPI transducer, etc.) you may realize a serial point-to-point connection via the Green Cable and the MP²I jack. This allows you to connect components to your VIPA-CPU that are able to communicate serial via a MPI adapter like e.g. a visualization system.
- *execute firmware updates of the CPUs and field bus masters*
Via the Green Cable and an upload application you may update the firmware of all recent VIPA CPUs with MP²I jack and certain field bus masters (see Note).



Important notes for the deployment of the Green Cable

Nonobservance of the following notes may cause damages on system components.

For damages caused by nonobservance of the following notes and at improper deployment, VIPA does not take liability!



Note to the application area

The Green Cable may exclusively be deployed directly at the concerning jacks of the VIPA components (in between plugs are not permitted). E.g. a MPI cable has to be disconnected if you want to connect a Green Cable.

At this time, the following components support Green Cable:

VIPA CPUs with MP²I jack and field bus masters from VIPA.



Note to the lengthening

The lengthening of the Green Cable with another Green Cable res. The combination with further MPI cables is not permitted and causes damages of the connected components!

The Green Cable may only be lengthened with a 1:1 cable (all 9 pins are connected 1:1).

**Transfer via
MMC**

The MMC (**Memory Card**) serves as external transfer and storage medium. There may be stored several projects and sub-directories on a MMC storage module. Please regard that your current project is stored in the root directory and has one of the following file names:

- *S7PROG.WLD*
- *S7PROGF.WLD*
- *AUTOLOAD.WLD*

With **File > Memory Card File > New** in the Siemens SIMATIC manager a new wld file may be created. After the creation copy the blocks from the project blocks folder and the *System data* into the wld file.

**Transfer
MMC → CPU**

The transfer of the application program from the MMC into the CPU takes place depending on the file name after an overall reset or PowerON.

- *S7PROG.WLD* is read from the MMC after overall reset and transferred into the battery buffered RAM.
- *S7PROGF.WLD* is read from the MMC after overall reset and transferred into the battery buffered RAM and additionally into the Flash memory. An access to the Flash memory only takes place at empty battery of the buffer and when no MMC with user program is plugged-in.
- *AUTOLOAD.WLD* is read after PowerON from the MMC and transferred into the battery-buffered RAM .

During the transfer the "MC" LED blinks. Please regard that your user memory serves for enough space, otherwise your user program is not completely loaded and the SF LED gets on. Execute a compression before the transfer, for this does not happen automatically.

**Transfer
CPU → MMC**

When the MMC has been installed, the write command stores the content of the battery buffered RAM as *S7PROG.WLD* on the MMC and in the internal Flash memory.

The write command is controlled by means of the block area of the Siemens SIMATIC manager **PLC > Copy RAM to ROM**. During the write process the "MC"-LED of the CPU is blinking. When the LED expires the write process is finished.

If this project is to be loaded automatically from the MMC with PowerON, you have to rename this on the MMC to *AUTOLOAD.WLD*.

Transfer control

After a MMC access, an ID is written into the diagnostic buffer of the CPU. To monitor the diagnosis entries, you select **PLC > Module Information** in the Siemens SIMATIC manager. Via the register "Diagnostic Buffer" you reach the diagnosis window.

Information about the Event-IDs can be found at "VIPA specific diagnostic entries".

Operating modes

Overview

The CPU can be in one of 3 operating modes:

- Operating mode STOP
- Operating mode START-UP
- Operating mode RUN

Certain conditions in the operating modes START-UP and RUN require a specific reaction from the system program. In this case the application interface is often provided by a call to an organization block that was included specifically for this event.

Operating mode STOP

- The application program is not processed.
- If there has been a processing before, the values of counters, timers, flags and the process image are retained during the transition to the STOP mode.
- Outputs are inhibited, i.e. all digital outputs are disabled.
- RUN-LED (R) off
- STOP-LED (S) on

Operating mode START-UP

- During the transition from STOP to RUN the system calls the start-up organization block OB 100. The processing time for this OB is not monitored. The start-up OB may issue calls to other blocks.
- All digital outputs are disabled during the start-up, i.e. outputs are inhibited.
- RUN-LED blinks as soon as the OB 100 is operated and for at least 3s, even if the start-up time is shorter or the CPU gets to STOP due to an error. This indicates the start-up.
- STOP-LED off

When the CPU has completed the start-up OB, it assumes the operating mode RUN.

Operating mode RUN

- The application program in OB 1 is processed in a cycle. Under the control of alarms other program sections can be included in the cycle.
- All timers and counters being started by the program are active and the process image is updated with every cycle.
- The BASP-signal (outputs inhibited) is deactivated, i.e. all digital outputs are enabled.
- RUN-LED on
- STOP-LED off

Function security The CPUs include security mechanisms like a watchdog (100ms) and a parameterizable cycle time surveillance (parameterizable min. 1ms) that stop res. execute a RESET at the CPU in case of an error and set it into a defined STOP state.

The VIPA CPUs are developed function secure and have the following system properties:

Event	concerns	Effect
RUN → STOP	general	BASP (B efehls- A usgabe- S perre, i.e. command output lock) is set.
	central digital outputs	The outputs are disabled.
	central analog outputs	The Outputs are disabled. - Voltage outputs issue 0V - Current outputs 0...20mA issue 0mA - Current outputs 4...20mA issue 4mA If configured also substitute values may be issued.
	decentral outputs	Same behavior as the central digital/analog outputs.
	decentral inputs	The inputs are cyclically be read by the decentralized station and the recent values are put at disposal.
STOP → RUN res. PowerON	general	First the PII is deleted, then OB 100 is called. After the execution of the OB, the BASP is reset and the cycle starts with: Delete PIO → Read PII → OB 1.
	central analog outputs	The behavior of the outputs at restart can be preset.
	decentral inputs	The inputs are cyclically be read by the decentralized station and the recent values are put at disposal.
RUN	general	The program execution happens cyclically and can therefore be foreseen: Read PII → OB 1 → Write PIO.

PII = Process image inputs

PIO = Process image outputs

Overall reset

Overview

During the overall reset the entire user memory is erased. Data located in the memory card is not affected.

You have 2 options to initiate an overall reset:

- initiate the overall reset by means of the function selector switch
- initiate the overall reset by means of the configuration software e.g. Siemens SIMATIC manager



Note!

You should always issue an overall reset to your CPU before loading an application program into your CPU to ensure that all blocks have been cleared from the CPU.

Overall reset by means of the function selector

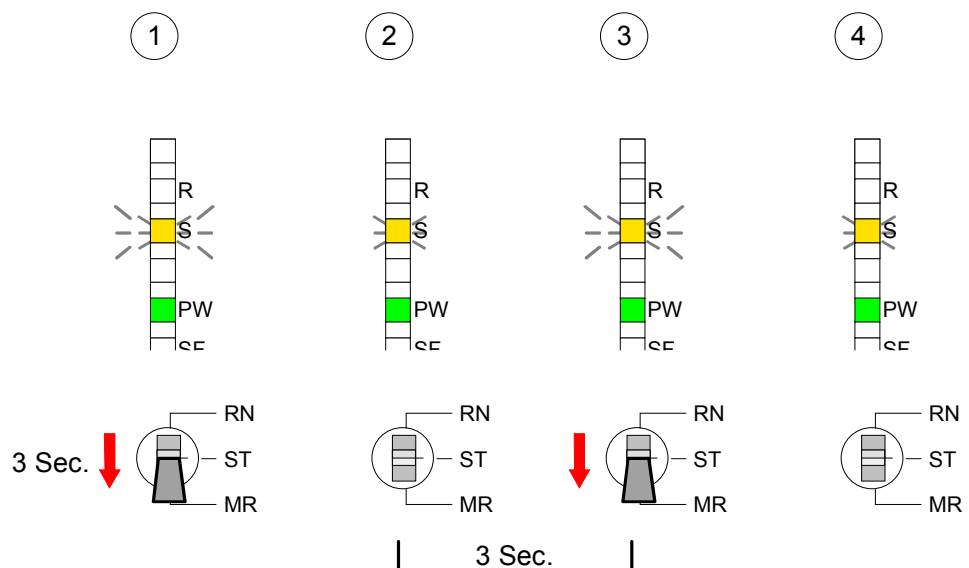
Condition

The operating mode of the CPU is STOP. Place the function selector on the CPU in position "ST" → the S-LED is on.

Overall reset

- Place the function selector in the position MR and hold it in this position for app. 3 seconds. → The S-LED changes from blinking to permanently on.
- Place the function selector in the position ST and switch it to MR and quickly back to ST within a period of less than 3 seconds. → The S-LED blinks (overall reset procedure).
- The overall reset has been completed when the S-LED is on permanently. → The S-LED is on.

The following figure illustrates the above procedure:



- Automatic reload** If there is a project S7PROG.WLD on the MMC, the CPU attempts to reload this project from MMC → the MC LED is on.
When the reload has been completed the LED is extinguished. The operating mode of the CPU will be STOP or RUN, depending on the position of the function selector.
- Overall reset by means of the Siemens SIMATIC manager** *Condition*
The operating mode of the CPU must be STOP.
You may place the CPU in STOP mode by the menu command **PLC > Operating mode**.
- Overall reset*
You may request the overall reset by means of the menu command **PLC > Clean/Reset**.
In the dialog window you may place your CPU in STOP mode and start the overall reset if this has not been done as yet.
The S-LED blinks during the overall reset procedure.
When the S-LED is on permanently the overall reset procedure has been completed.
- Automatic reload** At this point the CPU attempts to reload the parameters and the program from the memory card. → The MC LED is on.
When the reload has been completed, the LED expires. The operating mode of the CPU will be STOP or RUN, depending on the position of the function selector.
- Reset to factory setting** A *Factory reset* deletes the internal RAM of the CPU completely and sets it back to the delivery state.
Please regard that the MPI address is also set back to default 2!
More information may be found at the part "Factory reset" further below.

Firmware update

Overview

There is the opportunity to execute a firmware update for the CPU and its components via MMC. For this an accordingly prepared MMC must be in the CPU during the startup.

So a firmware files can be recognized and assigned with startup, a file name is reserved for each updateable component (see table below).

After PowerON and CPU STOP the CPU checks if there is a firmware file on the MMC. If this firmware version is different to the existing firmware version, this is indicated by blinking of the LEDs and the firmware may be installed by an update request.

Latest Firmware at www.vipa.com

The latest firmware versions are to be found in the service area at www.vipa.com

Find out CPU firmware version

A label on the rear of the module indicates the firmware version.

You may display the current firmware version of your CPU via the Siemens SIMATIC manager. To display the firmware version, you go online with the CPU via your PG or PC and start the Siemens SIMATIC manager.

Via **PLC** > *Module status*, register "General", the current firmware version is evaluated and displayed.

Load firmware and transfer it to MMC with reserved file name

- Go to www.vipa.com
- Click on *Service > Download > Firmware*.
- Navigate via *System 200V > CPU* to your CPU and download according to your hardware version the zip file to your PC.
- Open the zip file and copy the bin file to your MMC.
- Rename this to *firmware.bin*.

Reserved file names

By means of a reserved file name in the CPU 21x-1Bx06 you may transfer a firmware per MMC:

Component	File name <i>order no. _release_ version.ZIP</i>	New file name at MMC
CPU	Bx000... .bin	firmware.bin



Attention!

When installing a new firmware you have to be extremely careful. Under certain circumstances you may destroy the CPU, for example if the voltage supply is interrupted during transfer or if the firmware file is defective.

In this case, please call the VIPA-Hotline!

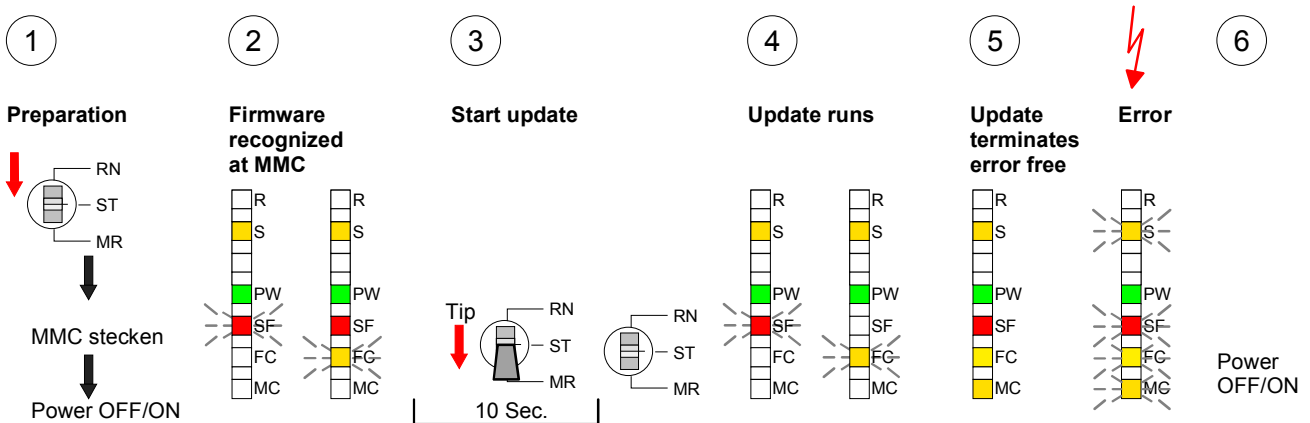
Please regard that the version of the update firmware has to be different from the existing firmware otherwise no update is executed.

Transfer firmware from MMC into CPU

1. Switch the operating mode switch of your CPU in position ST. Turn off the voltage supply. Plug the MMC with the firmware files into the CPU. Please take care of the correct plug-in direction of the MMC. Turn on the voltage supply.
2. After a short boot-up time, the alternate blinking of the LEDs SF and FC shows that at least a differing firmware file was found on the MMC.
3. You start the transfer of the firmware as soon as you tip the operating mode switch lever downwards to MR within 10s and leave it in ST position.
4. During the update process, the LEDs SF and FC are alternately blinking and MC LED is on. This may last several minutes.
5. The update is successful finished when the LEDs PW, S, SF, FC and MC are on. If they are blinking fast, an error occurred.
6. Turn Power OFF and ON. Now it is checked by the CPU, whether further current firmware versions are available at the MMC. If so, again the LEDs SF and FC flash after a short start-up period. Continue with point 3.

If the LEDs do not flash, the firmware update is ready.

Now a *factory reset* should be executed (see next page). After that the CPU is ready for duty.



Factory reset

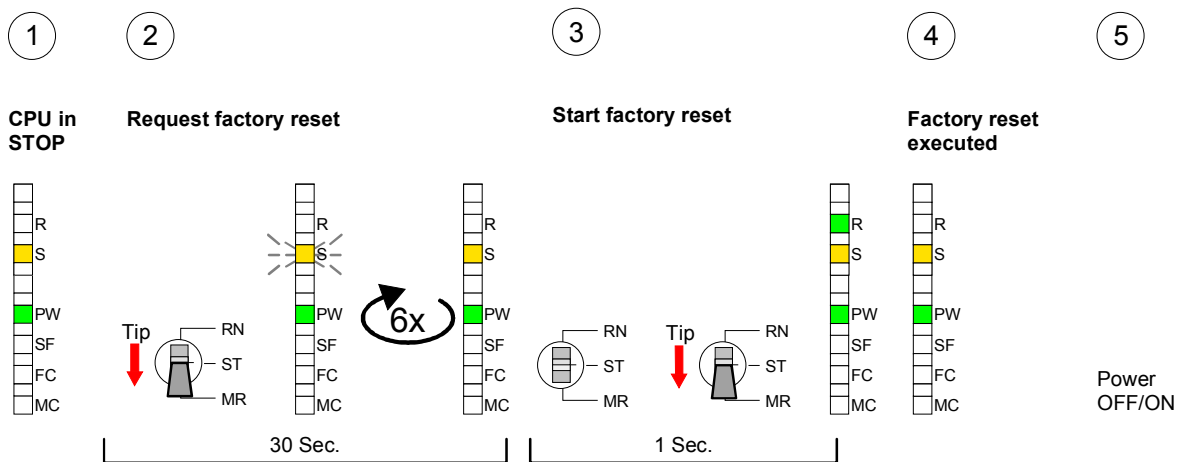
Proceeding

With the following proceeding the internal RAM of the CPU is completely deleted and the CPU is reset to delivery state.

Please note that here also the MPI address is reset to the address 2!

1. Switch the CPU to STOP.
2. Push the operating mode switch down to position MR for 30s. Here the S LED flashes. After a few seconds the stop LED changes to static light. Now the S LED changes between static light and flashing. Starting here count the static light states of the S LED.
3. After the 6. static light release the operating mode switch and tip it downwards to MR. Now the RUN LED lights up once. This means that the RAM was deleted completely.
4. For the confirmation of the resetting procedure the LEDs PW and S are on.
5. Then you have to switch the power supply off and on.

The proceeding is shown in the following Illustration:



Note!

After the firmware update you always should execute a *Factory reset*.

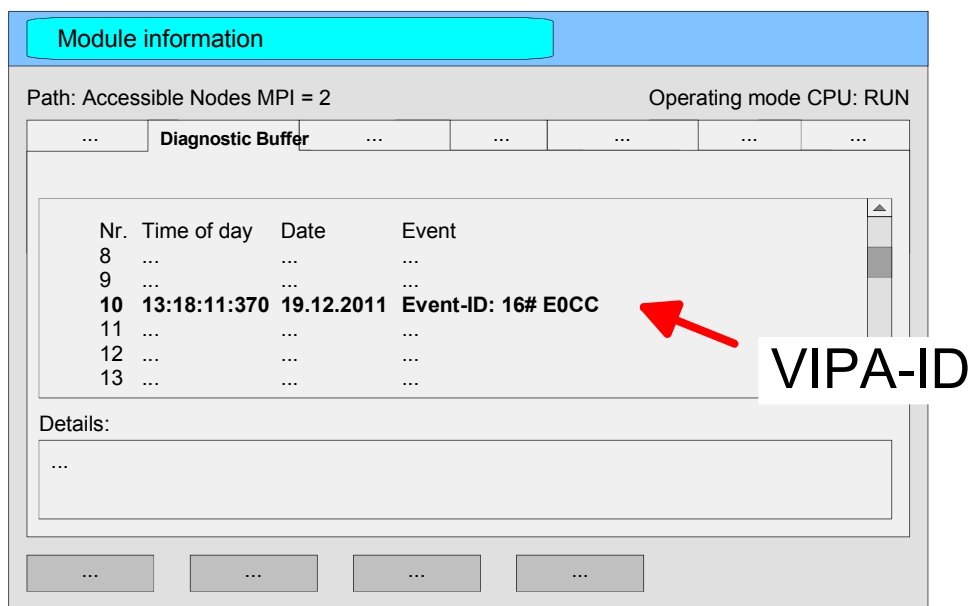
VIPA specific diagnostic entries

Entries in the diagnostic buffer

You may read the diagnostic buffer of the CPU via the Siemens SIMATIC manager. Besides of the standard entries in the diagnostic buffer, the VIPA CPUs support some additional specific entries in form of event-IDs.

Monitoring the diagnostic entries

To monitor the diagnostic entries you choose the option **PLC > Module Information** in the Siemens SIMATIC manager. Via the register "Diagnostic Buffer" you reach the diagnostic window:



The diagnosis is independent from the operating mode of the CPU. You may store a max. of 100 diagnostic entries in the CPU. The following page shows an overview of the VIPA specific Event-IDs.

Overview of the Event-IDs

Event-ID	Description
0xE003	Error at access to I/O devices Zinfo1: I/O address Zinfo2: Slot
0xE004	Multiple parameterization of a I/O address Zinfo1: I/O address Zinfo2: Slot
0xE005	Internal error – Please contact the VIPA-Hotline!
0xE006	Internal error – Please contact the VIPA-Hotline!
0xE007	Configured in-/output bytes do not fit into I/O area
0xE008	Internal error – Please contact the VIPA-Hotline!
0xE009	Error at access to standard back plane bus
0xE010	Not defined module group at backplane bus recognized Zinfo2: Slot Zinfo3: Type ID
0xE011	Master project engineering at Slave-CPU not possible or wrong slave configuration
0xE012	Error at parameterization
0xE013	Error at shift register access to VBUS digital modules
0xE014	Error at Check_Sys
0xE015	Error at access to the master Zinfo2: Slot of the master (32=page frame master)
0xE016	Maximum block size at master transfer exceeded Zinfo1: I/O address Zinfo2: Slot
0xE017	Error at access to integrated slave
0xE018	Error at mapping of the master I/O devices
0xE019	Error at standard back plane bus system recognition
0xE01A	Error at recognition of the operating mode (8 / 9 Bit)
0xE0CC	Communication error MPI / Serial
0xE100	MMC access error
0xE101	MMC error file system
0xE102	MMC error FAT
0xE104	MMC error at saving
0xE200	MMC writing finished (Copy Ram to Rom)
0xE210	MMC reading finished (reload after overall reset)
0xE300	Internal Flash writing ready (Copy RAM to ROM)
0xE310	Internal Flash reading finished (reload after battery failure)

Using test functions for control and monitoring of variables

Overview

For troubleshooting purposes and to display the status of certain variables you can access certain test functions via the menu item **Debug** of the Siemens SIMATIC manager.

The status of the operands and the VKE can be displayed by means of the test function **Debug > Monitor**.

You can modify and/or display the status of variables by means of the test function **PLC > Monitor/Modify Variables**.

Debug > Monitor

This test function displays the current status and the VKE of the different operands while the program is being executed.

It is also possible to enter corrections to the program.



Note!

When using the test function "Monitor" the PLC must be in RUN mode!

The processing of the states may be interrupted by means of jump commands or by timer and process-related alarms. At the breakpoint the CPU stops collecting data for the status display and instead of the required data it only provides the PG with data containing the value 0.

For this reason, jumps or time and process alarms can result in the value displayed during program execution remaining at 0 for the items below:

- the result of the logical operation VKE
- Status / AKKU 1
- AKKU 2
- Condition byte
- absolute memory address SAZ. In this case SAZ is followed by a "?".

The interruption of the processing of statuses does not change the execution of the program. It only shows that the data displayed is no longer.

PLC >
Monitor/Modify
Variables

This test function returns the condition of a selected operand (inputs, outputs, flags, data word, counters or timers) at the end of program-execution.

This information is obtained from the process image of the selected operands. During the "processing check" or in operating mode STOP the periphery is read directly from the inputs. Otherwise only the process image of the selected operands is displayed.

Control of outputs

It is possible to check the wiring and proper operation of output-modules.

You can set outputs to any desired status with or without a control program. The process image is not modified but outputs are no longer inhibited.

Control of variables

The following variables may be modified:

I, Q, M, T, C and D.

The process image of binary and digital operands is modified independently of the operating mode of the CPU.

When the operating mode is RUN the program is executed with the modified process variable. When the program continues they may, however, be modified again without notification.

Process variables are controlled asynchronously to the execution sequence of the program.

Chapter 4 Configuration with Siemens TIA Portal

Overview

In this chapter the project engineering of the VIPA CPU in the Siemens TIA Portal is shown. The chapter only describes the basic usage of the Siemens TIA Portal together with a VIPA CPU.

More detailed information about the Siemens TIA Portal is to be found in the according online manual respectively documentation.

Content

Theme	Seite
Chapter 4 Configuration with Siemens TIA Portal	4-1
TIA Portal - Limitations	4-2
TIA Portal - Work environment	4-3
TIA Portal - Hardware Configuration - CPU	4-5
TIA Portal - Hardware configuration - I/O modules	4-8
TIA Portal - Project transfer	4-9

TIA Portal - Limitations

General

Since the VIPA-CPU is configured as CPU 315-2AG10 in the Siemens TIA Portal, there are limitations with the configuration of the VIPA-CPU, which are in the following described.

VIPA specific SFCs

The VIPA specific SFCs are not supported during programming with the Siemens TIA Portal.

Operating blocks - OBs

- OB 55 "Status interrupt" is not supported by the VIPA-CPU
- OB 56 "Update interrupt" is not supported by the VIPA-CPU
- OB 81 "Error in power supply" exists in the VIPA-CPU but is not supported by the Siemens TIA Portal
- The phase shift, available for the OB 35 "Watchdog" in the Siemens TIA Portal, is not evaluated by the VIPA-CPU.

Further limitations

- "Plant designation" and "location identifier" in the Siemens TIA Portal are not supported by the VIPA-CPU.
- In contrast to the Siemens CPU 315-2AG10 with a periphery address area 0 to 2047, the periphery address area of the VIPA-CPU is limited to 0 to 1023. The diagnostic address area is 0 to 2047 and is not limited.
- The bit memory (retentive memory) area is limited to 0 to 1023.

TIA Portal - Work environment

General

TIA is the abbreviation for **T**otally integrated **A**utomation from Siemens. Here your VIPA PLCs may be configured and linked. For diagnostics online tools are available.



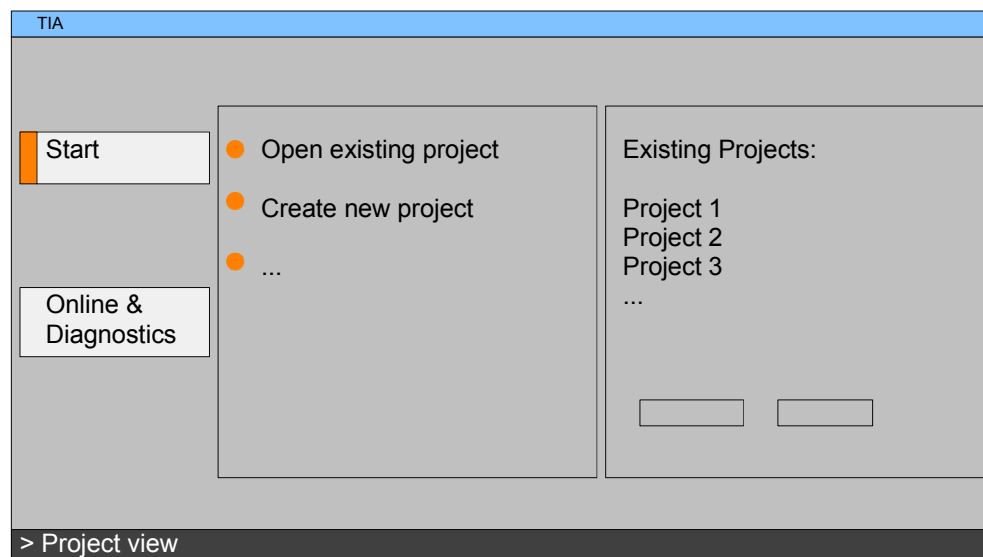
Note!

Information about the Siemens TIA Portal may be found in the online help respectively in the according online documentation.

Starting the TIA Portal

To start the Siemens TIA Portals with Windows select **Start > Programs > Siemens Automation > TIA ...**

Then the TIA Portal opens with the last settings used.



Exiting the TIA Portal

With the menu **Project > Exit** in the *Project view* you may exit the TIA Portal.

Here there is the possibility to save changes of your project before.

Work environment of the TIA Portal

Basically, the TIA Portal has the following 2 views. With the button on the left below you can switch between these views:

Portal view

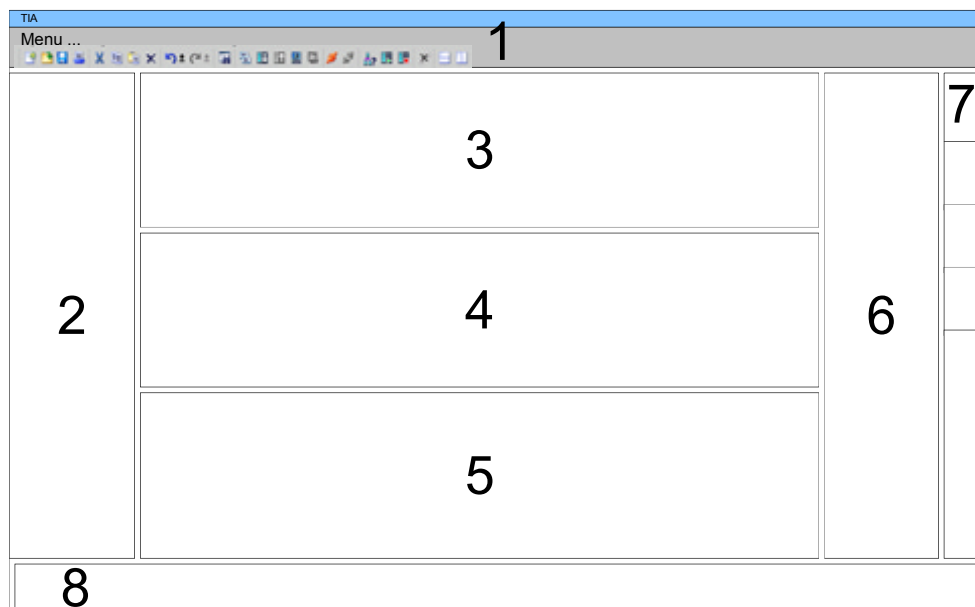
The *Portal view* provides a "task oriented" view of the tools for processing your project. Here you have direct access to the tools for a task. If necessary, a change to the *Project view* takes place automatically for the selected task.

Project view

The *Project view* is a "structured" view to all constituent parts of your project.

Areas of the Project view

The *Project view* is divided into the following areas:



- [1] Menu bar with toolbars
- [2] Project tree with Details view
- [3] Project area
- [4] Device overview of the project respectively area for block programming
- [5] Properties dialog of a device (Parameter) respectively area for information
- [6] Hardware catalog and tools
- [7] "Task-Cards" to select hardware catalog, tasks and libraries
- [8] Jump to *Portal* or *Project view*

TIA Portal - Hardware Configuration - CPU

General

The hardware configuration of the CPU and the system 200V modules at the VIPA bus takes place in the Siemens TIA Portal as a virtual PROFIBUS systems.

For the PROFIBUS interface is standardized software sided, the functionality is guaranteed by including a GSD-file into the Siemens TIA Portal.

Your project can be transferred to the CPU via MPI interface or by means of a MMC.

Integration of the GSD file

The GSD files may be found at www.vipa.com at the "Service" part.

The integration of the `vipa_21x.GSD` takes place with the following proceeding:

- Browse to www.vipa.com.
- Click to *Service > Download > PROFIBUS GSD files*.
- Download the file *System_100V_-_200V_Vxxx.zip* starting with V 2.2.2.
- Extract the file to your work directory. The `vipa_21x.gsd` (german) respectively `vipa_21x.gse` (english) is stored in the directory `CPU21x`.
- Start the Siemens TIA Portal.
- Close every project.
- Switch to the *Project view*.
- Select **Options** > *Install general station description file (GSD)*.
- Navigate to the directory `CPU21x`, select the according **vipa_21x.gsd** (german) or **vipa_21x.gse** (english) and click at [Install].

The hardware catalog is refreshed and the Siemens TIA Portal is finished.

After restarting the Siemens TIA Portal all the System 200V CPUs and modules of the System 200V from VIPA can now be found in the hardware catalog at:

Other field devices > PROFIBUS DP > I/O > VIPA GmbH > VIPA_System_200V.



Note!

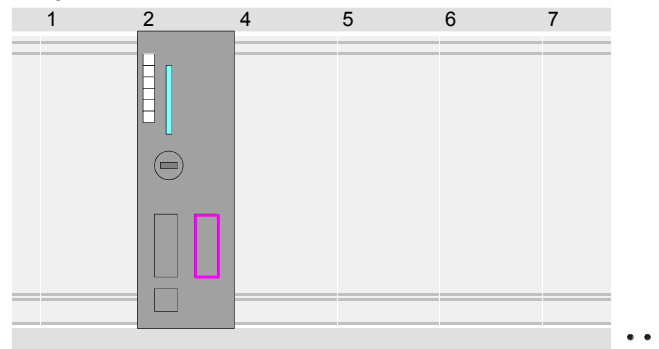
Thus, the VIPA components can be displayed, you have to deactivate the "Filter" of the hardware catalog.

Proceeding

To be compatible with the Siemens TIA Portal the VIPA CPU is to be configured as **CPU 315-2DP (6ES7 315-2AG10-0AB0 V2.6)** from Siemens. The evolution of the CPU 21x takes place as a virtual PROFIBUS master system with the following proceeding:

- Start the Siemens TIA Portal.
- Create a new project in the *Portal view* with *Create new project*.
- Change to the *Project view*.
- Click in the *Project tree* at *Add new device*.
- Select the following CPU in the input dialog:
SIMATIC S7-300 > CPU 315-2DP > 6ES7 315-2AG10-0AB0 V2.6.
Then the CPU is inserted with a profile rail.

Project area:



Device overview:

Module	...	Slot	...	Type	...
PLC...		2		CPU 315-2DP	
MPI interface...		2 0		MPI interface..	
DP interface...		2 X2		DP interface...	
...					

Parameterization

Since the CPU from VIPA is configured as Siemens CPU, so the parameterization takes place via the Siemens CPU.

For parameterization click in the *Project area* respectively in the *Device overview* at the CPU part. Then the parameters of the CPU part are shown in the *Properties* dialog. Here you can make your parameter settings.



Note!

The parameters are described in chapter "Deployment CPU..." at "CPU parameterization".

Configure a PROFIBUS master system

- Connect and parameterize the internal DP interface at operation mode "DP-Master".

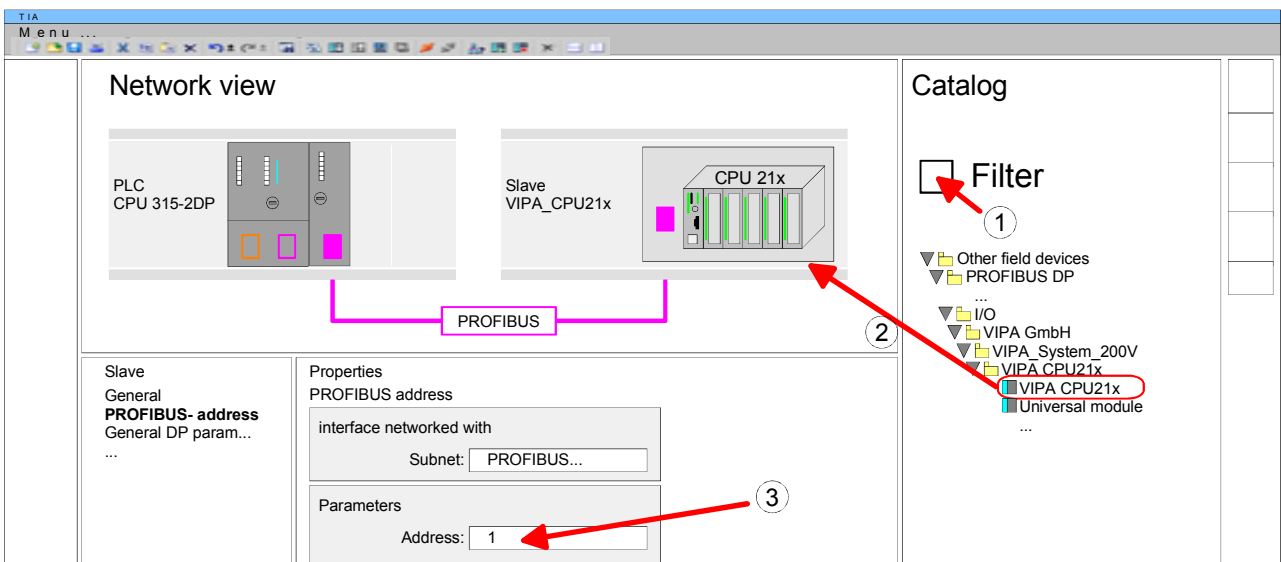


Note!

Thus, the VIPA components can be displayed, you have to deactivate the "Filter" of the hardware catalog.

Connect VIPA_CPU21x

- Switch in the *Project area* to "Network view".
- Connect the slave system "VIPA_CPU 21x". After installing the vipa_21x.GSD this may be found in the hardware catalog at: *Other field devices > PROFIBUS DP > I/O > VIPA GmbH > VIPA_System_200V > VIPA_CPU21x.*
- For the slave system CPU21x-Slave-System set the PROFIBUS address 1.



- Click at the slave system and open the "Device overview" in the *Project area*.
- Configure at slot 1 the according CPU 21x-1Bx06 of the hardware catalog of the VIPA_System_200V.

Device overview:

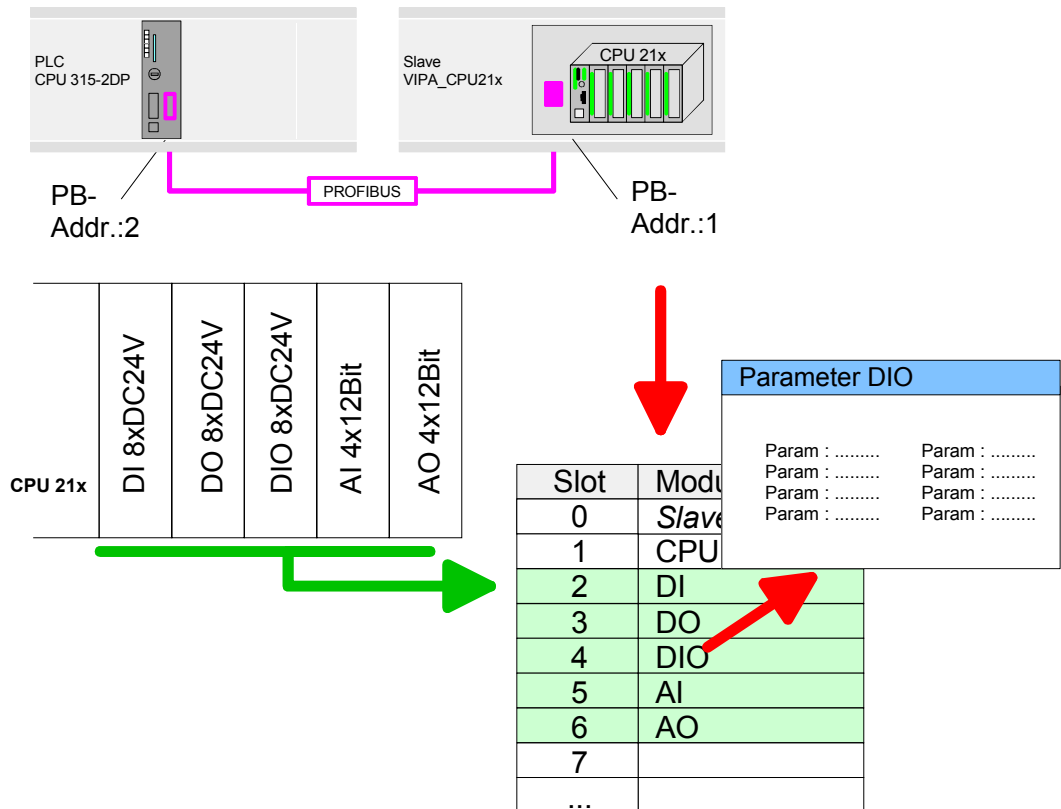
Module	...	Slot	...	Type	...
Slave...		0		VIPA CPU21x	
21x-1Bx06		1		21x-1Bx06...	
		2			

TIA Portal - Hardware configuration - I/O modules

Hardware configuration of the modules

After the hardware configuration of the CPU place the System 200 modules at the bus in the plugged sequence.

For this drag&drop the according module from the *Hardware catalog* to the according position in the *Device overview*.



Parameterization

To provide specific addressing of the installed peripheral modules, certain addresses must be allocated in the CPU.

For parameterization click in the *Device overview* on the module you want to parameterize. The parameters of the module appear in the *Properties dialog*.

Here you can make your parameter settings.

TIA Portal - Project transfer

Overview

There are the following possibilities for project transfer into the CPU:

- Transfer via MPI
- Transfer via MMC

Transfer via MPI

Currently the VIPA programming cables for transfer via MPI are not supported. This is only possible with the programming cable from Siemens.

- Establish a connection to the CPU with an appropriate programming cable. Information may be found in the corresponding documentation of the programming cable.
- Switch-ON the power supply of your CPU and start the Siemens TIA Portal with your project.
- Select in the "Project tree" your CPU and choose from the context menu *Download to device > Hardware configuration* to transfer the hardware configuration. To transfer your PLC program choose *Download to device > Software*. Due to the system you have to transfer hardware configuration and PLC program separately.

Transfer via MMC

The MMC (**M**emory **C**ard) serves as external transfer and storage medium. There may be stored several projects and sub-directories on a MMC storage module. Please regard that your current project is stored in the root directory and has one of the following file names:

- *S7PROG.WLD*
- *S7PROGF.WLD*
- *AUTOLOAD.WLD*

With **Project > Memory card file > New** a WLD file may be created in the Siemens TIA Portal. Then the wld file is shown in the project tree at "SIMATIC Card Reader" as "Memory card file".

Copy the blocks from the *Programm blocks* to the wld file. Here the hardware configuration data are automatically copied to the wld file as "System data".

**Transfer
MMC → CPU**

The transfer of the application program from the MMC into the CPU takes place depending on the file name after an overall reset or PowerON.

- *S7PROG.WLD* is read from the MMC after overall reset and transferred into the battery buffered RAM.
- *S7PROGF.WLD* is read from the MMC after overall reset and transferred into the battery buffered RAM and additionally into the Flash memory. An access to the Flash memory only takes place at empty battery of the buffer and when no MMC with user program is plugged-in.
- *AUTOLOAD.WLD* is read after PowerON from the MMC and transferred into the battery-buffered RAM .

The blinking of the LED "MC" of the CPU marks the active transfer. Please regard that your user memory serves for enough space, otherwise your user program is not completely loaded and the SF LED gets on.

**Transfer
CPU → MMC**

When the MMC has been installed, the write command stores the content of the battery buffered RAM as *S7PROG.WLD* on the MMC and in the internal Flash memory.

The write command is to be found in the Siemens TIA Portal in the Task card "Online tools" in the command area at "Memory" as button [Copy RAM to ROM]. Only if this function is supported by the CPU, this button is shown. During the write process the "MC"-LED of the CPU is blinking. When the LED expires the write process is finished.

If this project is to be loaded automatically from the MMC with PowerON, you have to rename this on the MMC to *AUTOLOAD.WLD*.

Transfer control

After a MMC access, an ID is written into the diagnostic buffer of the CPU. To monitor the diagnosis entries, you select *Online & Diagnostics* in the Siemens TIA Portal. Via the register "Diagnostic Buffer" you reach the diagnosis window.

Information about the Event-IDs can be found at "VIPA specific diagnostic entries".